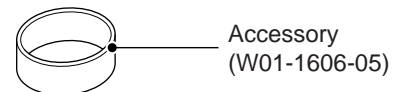
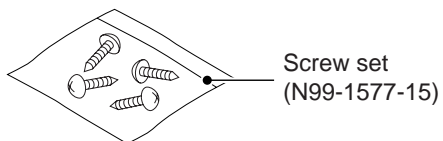
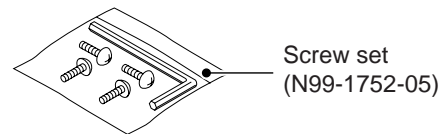
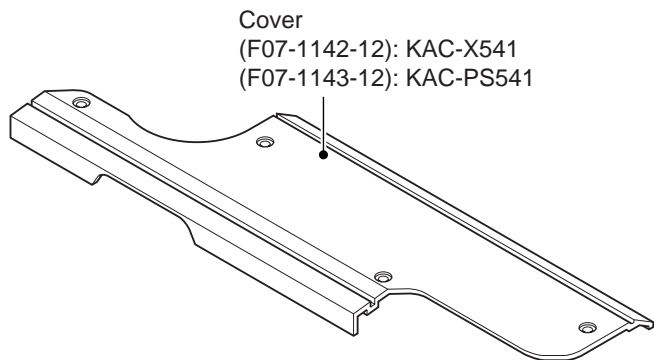
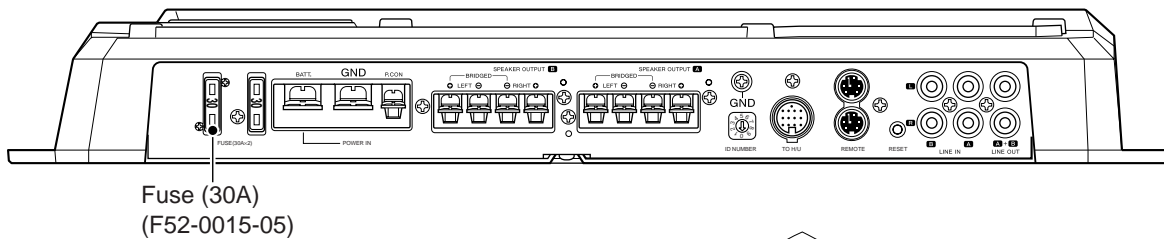
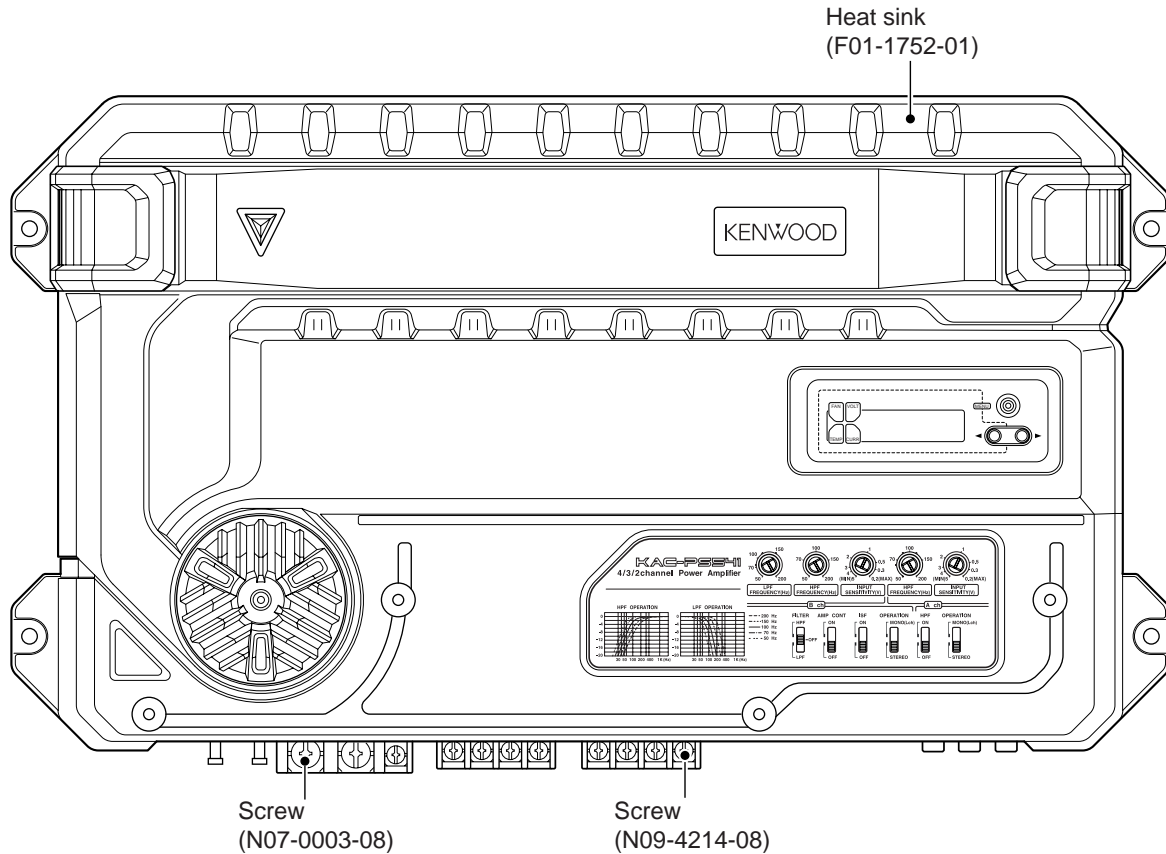
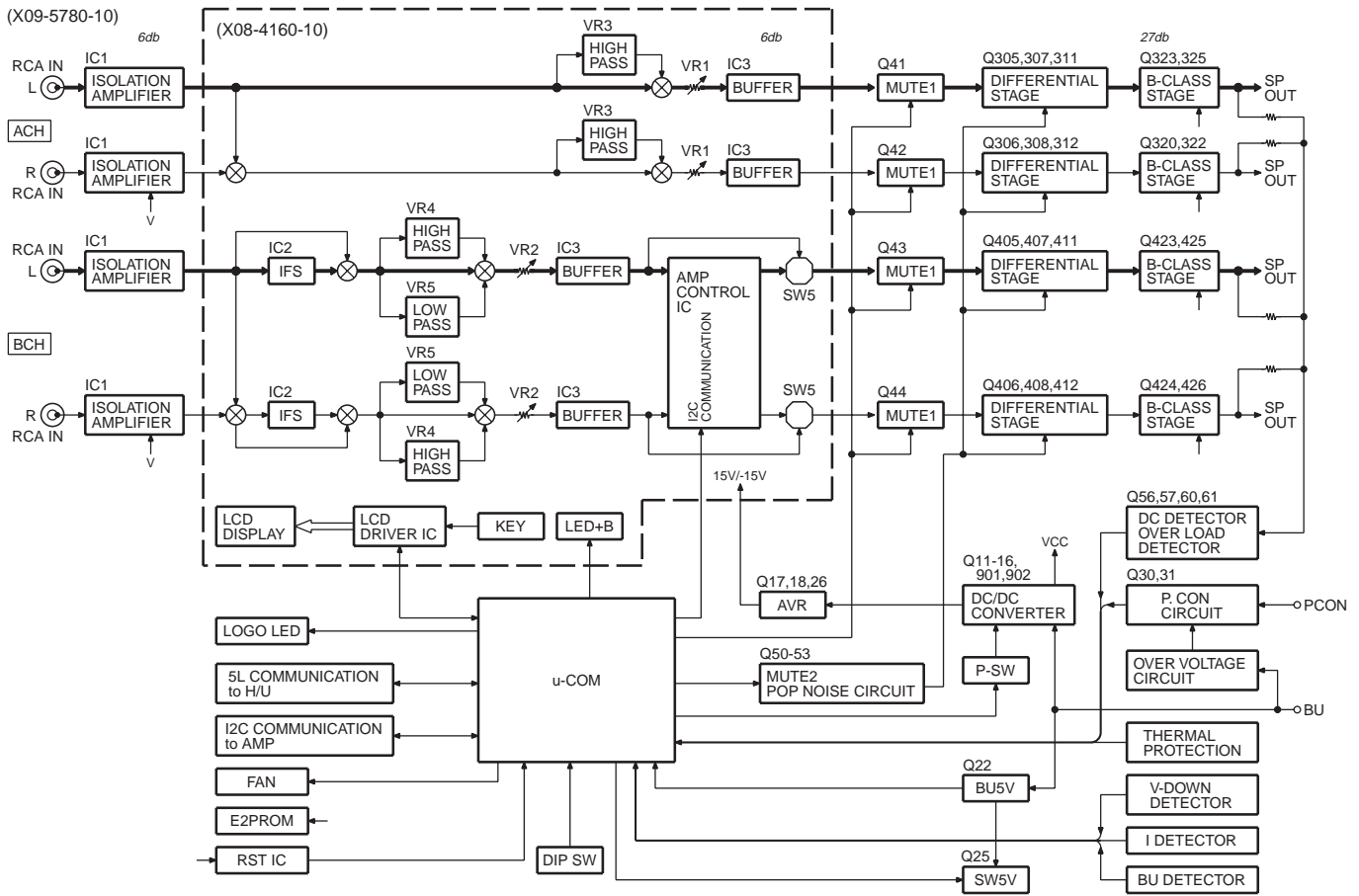


# KAC-PS541 KAC-X541

## SERVICE MANUAL



## BLOCK DIAGRAM



## COMPONENTS DESCRIPTION

### ● PREAMPLIFIER UNIT (X08-4160-10)

Ref. No	Application / Function	Operation / Condition / Compatibility
IC1	(1/4, 2/4) : Ach HPF, (2/4) : ALch buffer, (3/4) : BRch invert buffer	
IC2	Bch infrasonic filter	
IC4	(1/4, 2/4) : Bch HPF, (3/4, 4/4) : Bch LPF	
IC5	Bch buffer	
IC6	(1/2) : BLch buffer, (2/2) : BRch invert buffer	
IC7	LCD driver, key scan	
IC8	Bch E-VOL IC	When AMP-CON SW ON, from H/U (via Lx-Bus) change sound by AMP-CONTROL

## COMPONENTS DESCRIPTION

## ● AUDIO UNIT (X09-5780-10)

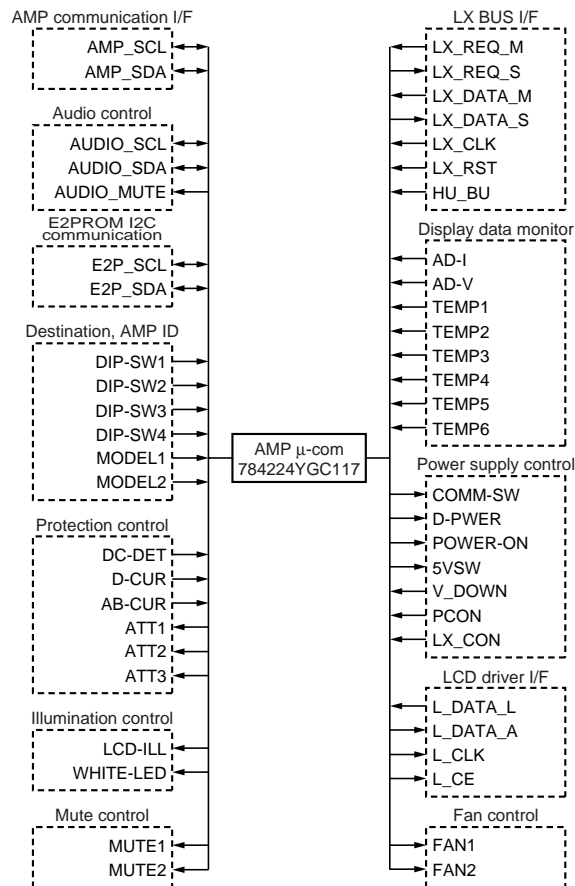
Ref. No	Application / Function	Operation / Condition / Compatibility
IC1,2	Input isolation amplifier	
IC3	Microprocessor	
IC4	Microprocessor reset IC	
IC6	Current detection circuit voltage amplification	
IC8	LX communication LX-CLK, LX-DATA-M comparator	
IC9	AMP I2C communication signal level converter	
IC10	Switching regulator	
Q1	14V power supply for LX communication circuit and AMP communication IC	
Q2	VDD 5V AVR	
Q7~10	FET drive	
Q11~16	DC/DC converter	
Q17,26	+15.6V AVR	
Q18,27	-15.6V AVR	
Q20,21	Switching regulator power switch	
Q22,24	VDD 5V AVR	
Q25	SW5V	
Q30,31	Standby, P-CON	
Q41~44	Mute driver	
Q50~53	Shock noise prevention	
Q54	Mute	
Q56,57	Output DC abnormal voltage detection	
Q58	Logo LED power supply	
Q59	LCD illumination power supply	
Q61	Over current detection and protection	
Q62~67	Fan operation circuit	
Q73,77	BU over voltage detection	
Q74,75	FET drive low start switch	
Q80~83	LX communication input signal level converter	
Q84	LX communication circuit power supply and AMP communication IC1 power switch	
Q85,86,90,92~96,98	LX communication output signal level converter	
Q91	14V power supply for LX communication circuit and AMP communication IC	
Q210	Ach first stage differential amplifier	
Q212,311,411,412	Temperature compensation bias	
Q301~309,312 Q314,319,321	Ach first stage differential amplifier	
Q315~318,415~418	Over current detection and protection	
Q320,322,323,325	Ach final current amplifier	
Q401~410	Bch first stage differential amplifier	
Q423-426	Bch final current amplifier	
Q901,902	DC/DC converter	
Q905,906,945,946,967	1dB attenuation circuit	

# KAC-PS541/X541

## MICROCOMPUTER'S TERMINAL DESCRIPTION

### ● MICROPROCESSOR : 784224YGC117 (X09 : IC3)

#### ◇ Block Diagram



#### ◇ Terminal Function

Pin No.	Pin Name	I/O	Function	Processing Operation Description
1~3	TEMP4~TEMP6	I	Temperature detection 4~6	
4	AVSS	-	GND	
5	L_CE	O	CE output to LCD driver	H : LCD driver CE
6	LX_REQ_S	O	Data transmit request to H/U	H : OFF, L : ON
7	AVREF1	-	DA reference voltage	
8	L_DATA_L	I	Data input from LCD driver	
9	L_DATA_A	O	Data output to LCD driver	
10	L_CLK	O	CLK output to LCD driver	
11	LX_DATA_M	I	Data input from H/U	
12	LX_DATA_S	O	Data output to H/U	
13	LX_CLK	I	CLK input from H/U	
14	LX_BU	I	LX BUS communication, H/U connect detection	H : Not connect (Except master amplifier), L : Connect
15	NC	O	Not used	
16	SDA_AMP	I/O	Data input/output AMP communication	
17	NC	O	Not used	

## MICROCOMPUTER'S TERMINAL DESCRIPTION

Pin No.	Pin Name	I/O	Function	Processing Operation Description
18	SCL_AMP	I/O	CLK input/output AMP communication	
19	AUDIO_SCL	I/O	CLK input/output with audio chip	
20	AUDIO_SDA	I/O	Data input/output with audio chip	
21	AUDIO_MUTE	O	Mute output to audio chip	H : Mute OFF, L : Mute ON
22	E2P_SCL	I/O	CLK input/output with E2PROM	
23	E2P_SDA	I/O	Data input/output with E2PROM	
24	NC	O	Not used	
25~28	DIP-SW1-DIP-SW4	I	AMP address setting	
29	MODEL1	I	Model setting 1	
30	MODEL2	I	Model setting 2	
31,32	NC	O	Not used	
33	VSS1	-	GND	
34~37	NC	O	Not used	
38	LCD-ILL	O	LCD backlight switch	H : ON, L : OFF
39	WHITE-LED	O	Triangle illumination switch	H : ON, L : OFF
40	NC	O	Not used	
41~43	ATT1~ATT3	O	Output attenuate due to rise in temperature 1~3	H : Attenuate, L : Not attenuate
44,45	NC	O	Not used	
46	COMM-SW	O	Communication IC power switch	H : ON, L : OFF
47~50	NC	O	Not used	
51	D-PWER	O	D class amplifier power supply control	H : ON, L : OFF (2ch/4ch L fixed)
52	DC-DET	I	Speaker output DC voltage detection	H : Normal, L : Abnormal
53	NC	O	Not used	
54	POWER-ON	O	Amplifier power supply control	H : ON (D/AB class), L : OFF
55	5VSW	O	5VSW	H : OFF, L : ON
56	MUTE1	O	Amplifier section input stage mute control	H : OFF, L : ON
57	MUTE2	O	Driver stage pop-noise mute control	H : OFF, L : ON
58	FAN1	O	Fan rotation control	H : Operate, L : Stop
59	FAN2	O	Fan speed control	H : Low speed, L : High speed
60	RESET	-	Hard reset	H : Normal, L : Reset
61	PCON	I	Amplifier power control	H : OFF, L : ON
62	LX_CON	I	LX-BUS communication control	H : OFF, L : ON
63	LX_REQ_M	I	Data receive request from H/U	H : ON, L : OFF
64	NC	O	Not used	
65	V_DOWN	I	Momentary power down detection	H : ON (Power down detection), L : OFF (L fixed)
66	NC	O	Not used	
67	VSS0	-	GND	
68	VD1	-	VDD	
69	X2	-	Main clock input 1	
70	X1	-	Main clock input 2	

# KAC-PS541/X541

## MICROCOMPUTER'S TERMINAL DESCRIPTION

Pin No.	Pin Name	I/O	Function	Processing Operation Description
71	TEST	-	Flash ROM writing	
72	XT2	-	Not used	
73	XT1	-	Not used	
74	VDD0	-	VDD	
75	AVDD	-	VDD	
76	AD-I	I	First current detection (for display)	
77	AD-V	I	BU voltage detection (for display)	
78~80	TEMP1~TEMP3	I	Temperature detection 1~3	

### ◇ Logic Table

#### 1) Destination

The destination in AMP does not mean the sales regions but specific models.

The following are the models. When reset is released, it is checked only once.

Model name	MODEL1 (29pin)	MODEL2 (30pin)
KAC-PS811D/X811D	Low	Low
KAC-PS521/X521	Low	High
KAC-PS621/X621	High	Low
KAC-PS541/X541	High	High

#### 2) AMP ID

AMP ID is checked only once at the time reset is released or when the microcomputer is released from the low consumption mode.

When set to AMP ID 8/9 no remote control is possible.

AMP ID	DIP-SW1 (25pin)	DIP-SW2 (26pin)	DIP-SW3 (27pin)	DIP-SW4 (28pin)
0	High	High	High	High
1	Low	High	High	High
2	High	Low	High	High
3	Low	Low	High	High
4	High	High	Low	High
5	Low	High	Low	High
6	High	Low	Low	High
7	Low	Low	Low	High
8	High	High	High	Low
9	Low	High	High	Low

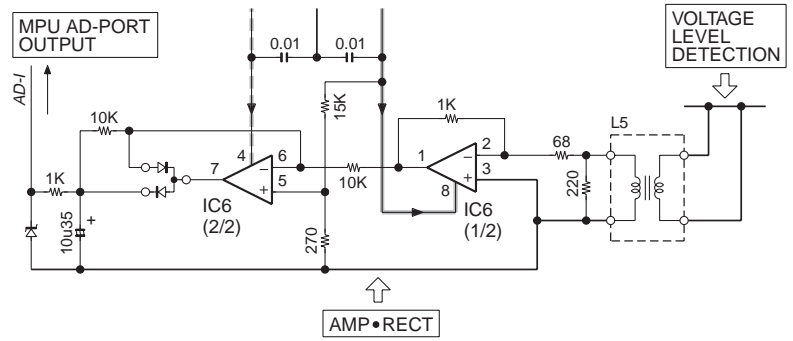
#### 3) Fan speed

Operation	FAN1 (58pin)	FAN2 (59pin)
Stop	Low	High/Low
Low speed	High	High
High speed	High	Low

## CIRCUIT DESCRIPTION

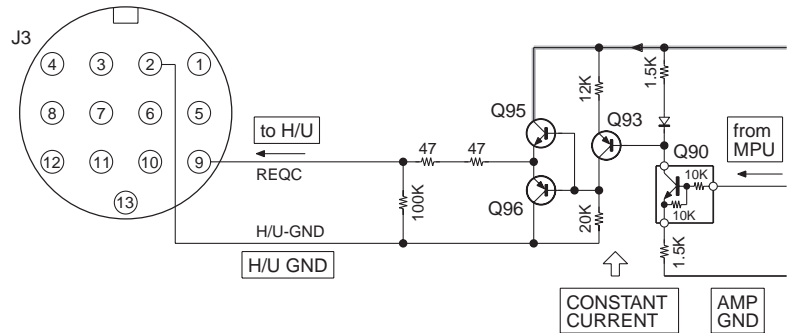
### ● Current detection circuit

Amplify and rectify potential differences at two points in the primary-side current circuit and send it to the AD-port of the MPU and obtain data for displaying current value.



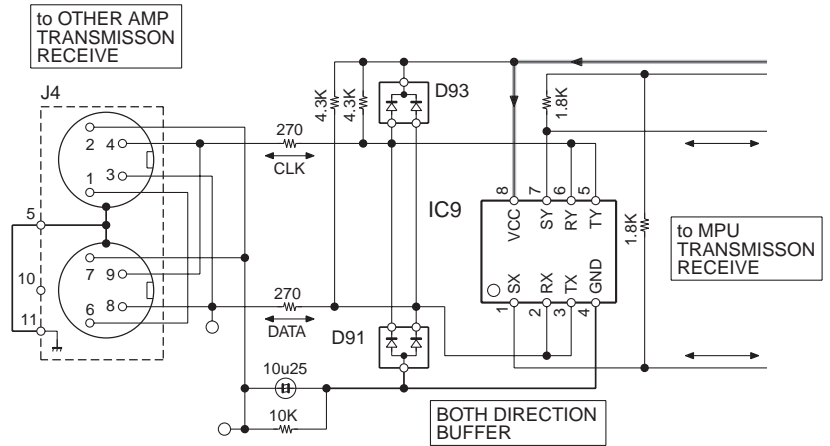
### ● Constant current output circuit

Remove troubles caused by the potential differences between the constant current output and the GND, so that the GND potential differences between the H/U and the AMP is not overlapped in the AMP to H/U communication.



### ● I2C buffer

Using an IC for I2C communication, between-AMP communication is conducted so that there will be no trouble from GND potential differences.

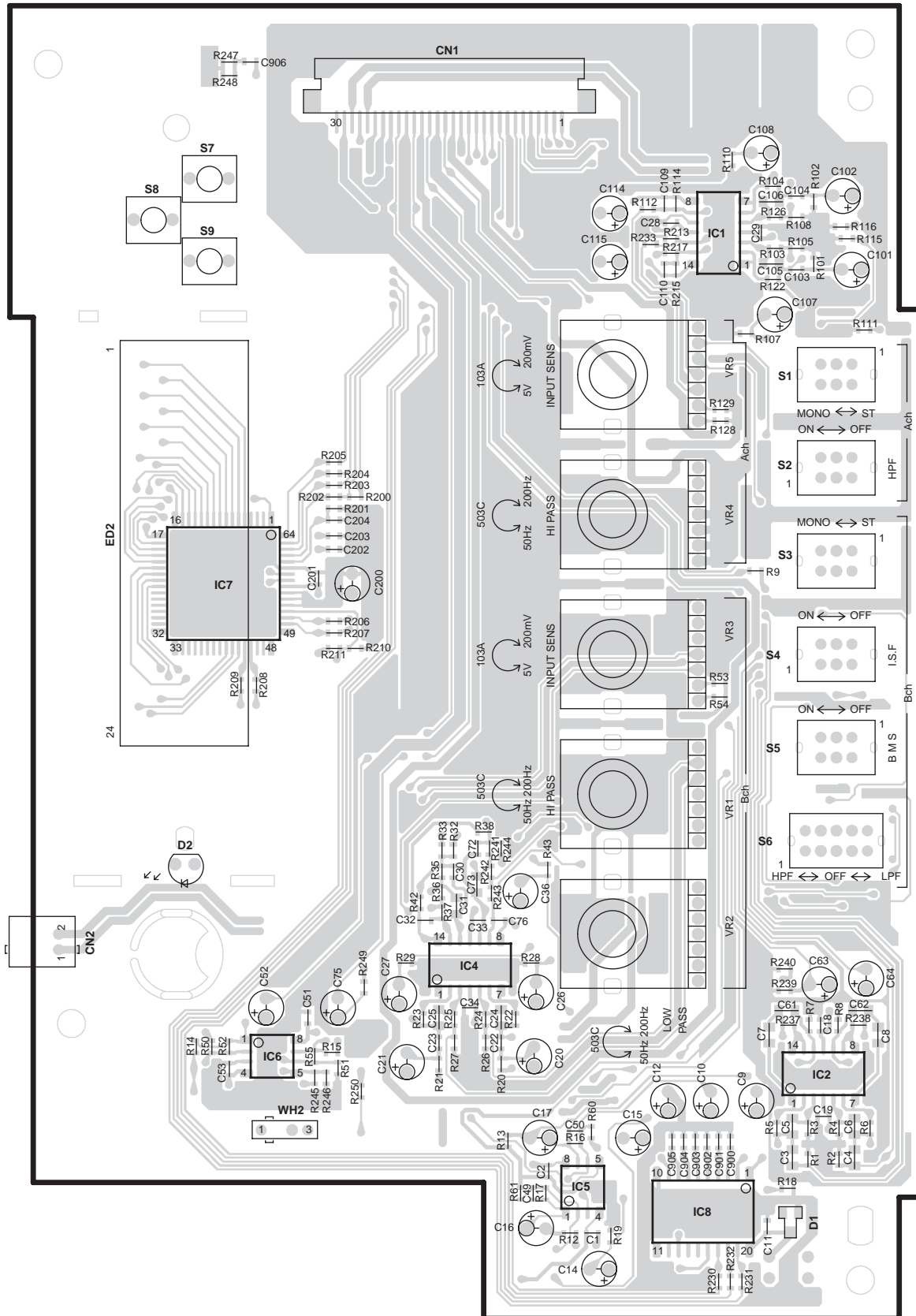


## ADJUSTMENT

No.	Item	Alignment Point	Method	Align For	Note	Fig.
1	IDEL CURRENT	VR5 (ALch) VR6 (ARch) VR7 (BLch) VR8 (BRch)	Connect a DC voltmeter between check land.	2.5mV	After Power on 2 minutes	PC board (X09-578)

# KAC-PS541/X541 PC BOARD (COMPONENT SIDE VIEW)

PREAMPLIFIER UNIT X08-4160-10 (J76-0011-02)



X08-4160-10

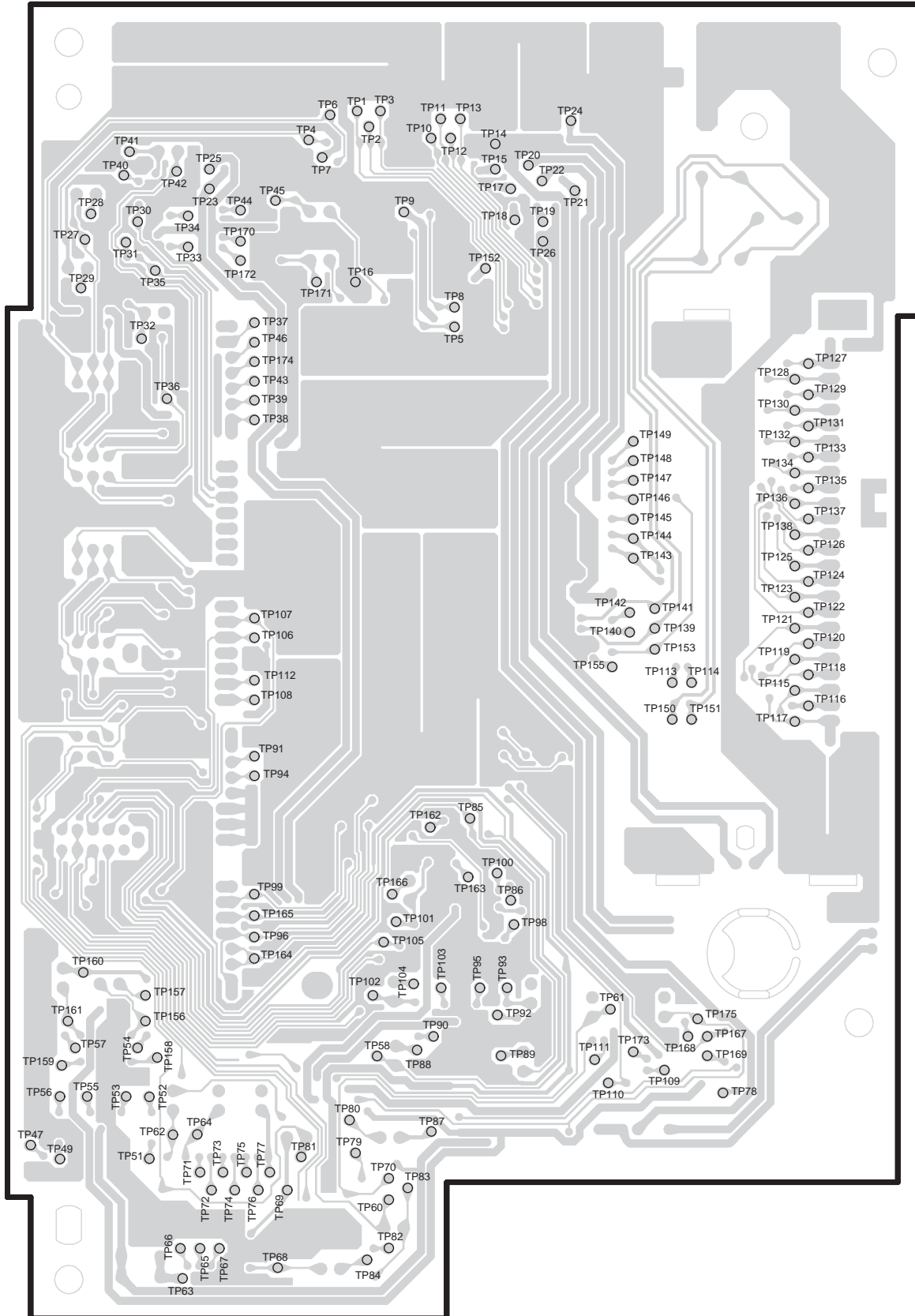
Ref. No.	Address
IC1	2D
IC2	6D
IC4	5C
IC5	6C
IC6	6B
IC7	4B
IC8	6D

Refer to the schematic diagram for the values of resistors and capacitors.



# PC BOARD (FOIL SIDE VIEW)

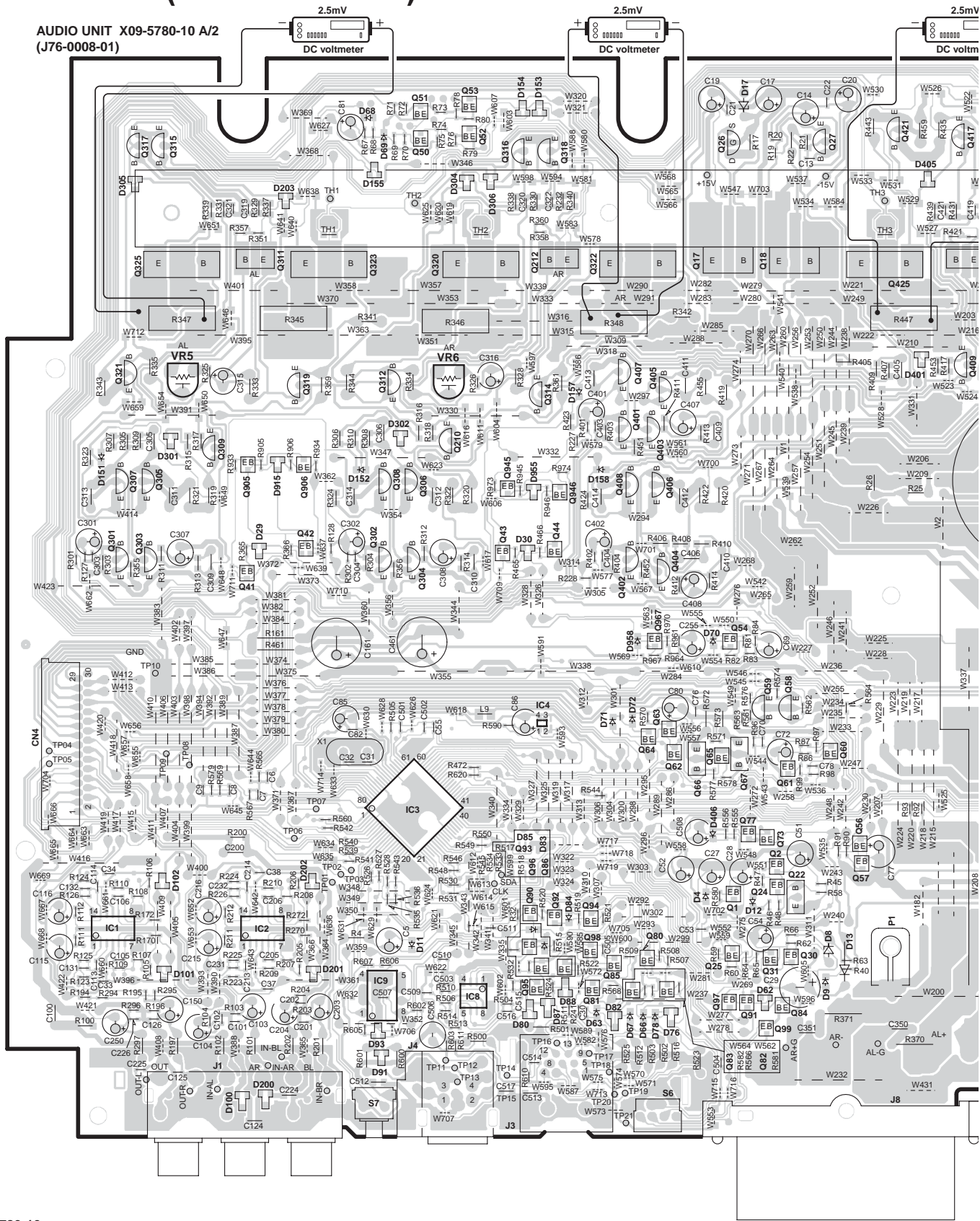
## PREAMPLIFIER UNIT X08-4160-10 (J76-0011-02)



Refer to the schematic diagram for the values of resistors and capacitors.

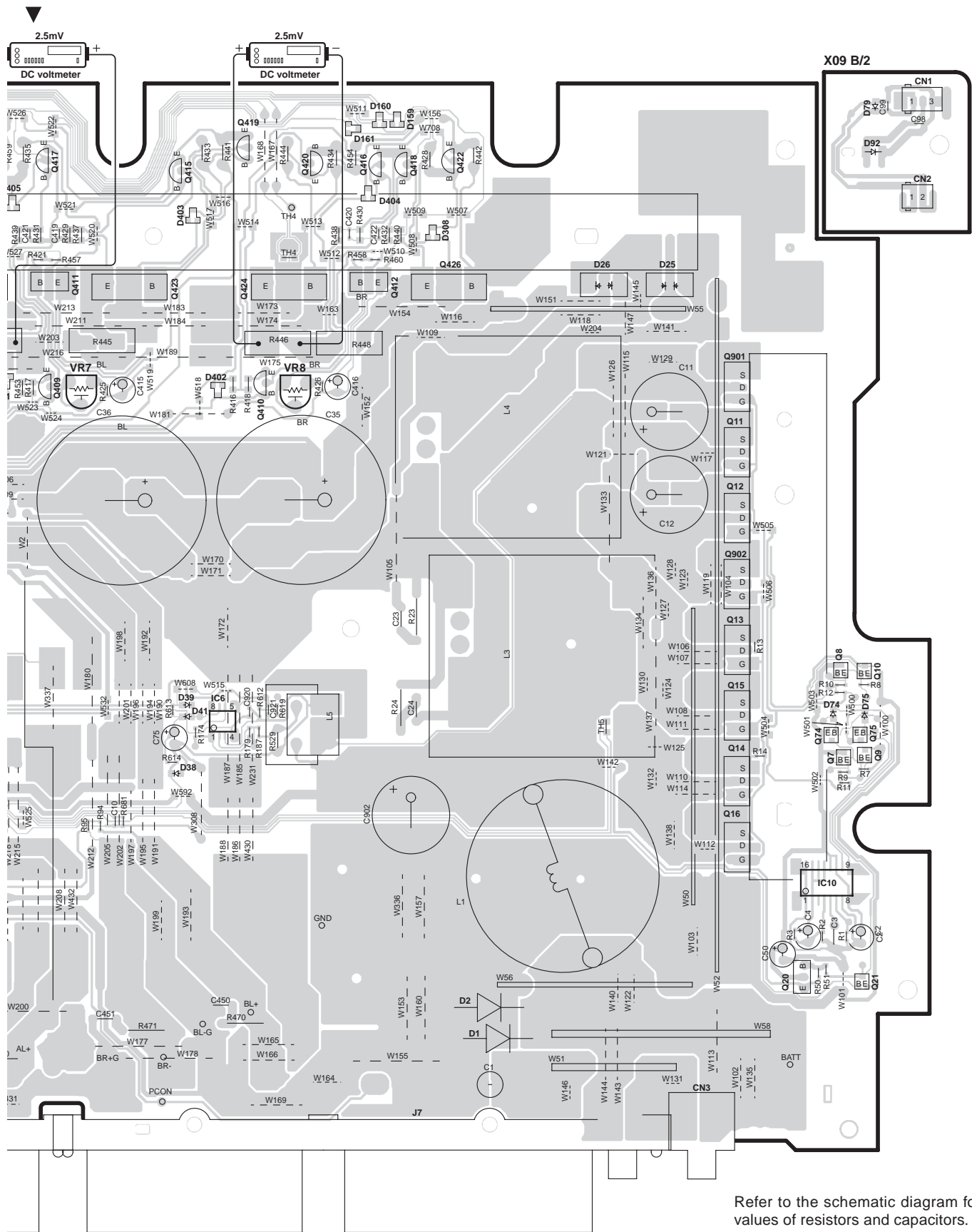
# KAC-PS541/X541 PC BOARD (FOIL SIDE VIEW)

AUDIO UNIT X09-5780-10 A/2  
(J76-0008-01)



## X09-5780-10

Ref. No.	Address	Ref. No.	Address	Ref. No.	Address	Ref. No.	Address	Ref. No.	Address	Ref. No.	Address	Ref. No.	Address	Ref. No.	Address	Ref. No.	Address
IC1	5K	IC6	4Q	Q7	4S	Q13	4S	Q20	5S	Q27	20	Q44	3N	Q56	50	Q62	5N
IC2	5L	IC8	6M	Q8	4S	Q14	4S	Q21	5T	Q30	50	Q50	2M	Q57	50	Q63	4N
IC3	5M	IC9	6M	Q9	4T	Q15	4S	Q22	50	Q31	50	Q51	1M	Q58	40	Q64	4N
IC4	4M	IC10	5S	Q10	4T	Q16	5S	Q24	5N	Q41	4L	Q52	2M	Q59	40	Q65	4N
		Q1	5N	Q11	3S	Q17	2N	Q25	5N	Q42	3L	Q53	1M	Q60	40	Q66	5N
		Q2	50	Q12	3S	Q18	20	Q26	2N	Q43	3M	Q54	4N	Q61	50	Q67	5N
		Q3															
		Q4															
		Q5															
		Q6															
		Q7															
		Q8															
		Q9															
		Q10															
		Q11															
		Q12															
		Q13															
		Q14															
		Q15															
		Q16															
		Q17															
		Q18															
		Q19															
		Q20															
		Q21															
		Q22															
		Q23															
		Q24															
		Q25															
		Q26															
		Q27															
		Q28															
		Q29															
		Q30															
		Q31															
		Q32															
		Q33															
		Q34															
		Q35															
		Q36															
		Q37															
		Q38															
		Q39															
		Q40															
		Q41															
		Q42															
		Q43															
		Q44															
		Q45															
		Q46															
		Q47															
		Q48															
		Q49															
		Q50															
		Q51															
		Q52															
		Q53															
		Q54															
		Q55															
		Q56															
		Q57															
		Q58															
		Q59															
		Q60															
		Q61															
		Q62															
		Q63															
		Q64															
		Q65															
		Q66															
		Q67															
		Q68															
		Q69															
		Q70															
		Q71															
		Q72															
		Q73															
		Q74															
		Q75															
		Q76															
		Q77															
		Q78															
		Q79															
		Q80															
		Q81															
		Q82															
		Q83															
		Q84															
		Q85															
		Q86															
		Q87															
		Q88															
		Q89															
		Q90															

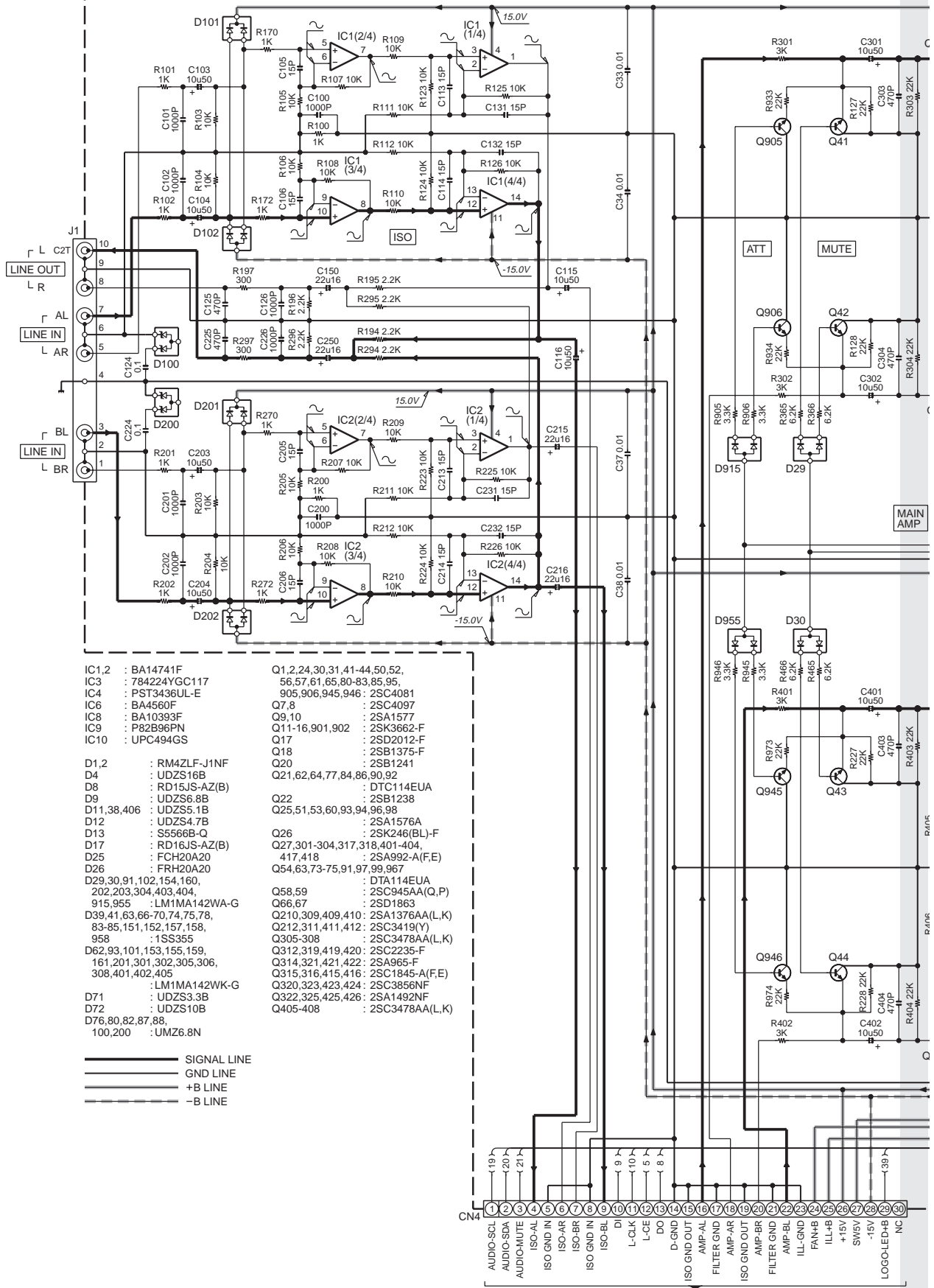


Refer to the schematic diagram for the values of resistors and capacitors.

Ref. No.	Address	Ref. No.	Address	Ref. No.	Address	Ref. No.	Address	Ref. No.	Address	Ref. No.	Address	Ref. No.	Address	Ref. No.	Address	Ref. No.	Address
Q91	6N	Q97	6N	Q302	3M	Q308	3M	Q316	2M	Q322	2N	Q404	4N	Q410	3Q	Q418	2Q
Q92	5N	Q98	5N	Q303	4L	Q309	3L	Q317	2L	Q323	2M	Q405	3N	Q411	2P	Q419	1Q
Q93	5M	Q99	6O	Q304	4M	Q311	2L	Q318	2N	Q325	2L	Q406	3N	Q412	2Q	Q420	2Q
Q94	5N	Q210	3M	Q305	3L	Q312	3M	Q319	3L	Q401	3N	Q407	3N	Q415	2P	Q421	2O
Q95	6M	Q212	2M	Q306	3M	Q314	3M	Q320	2M	Q402	4N	Q408	3N	Q416	2Q	Q422	2R
Q96	5M	Q301	4K	Q307	3L	Q315	2L	Q321	3K	Q403	3N	Q409	3P	Q417	2P	Q423	2P
																Q906	3L
																Q945	3M
																Q946	3N
																Q967	4N

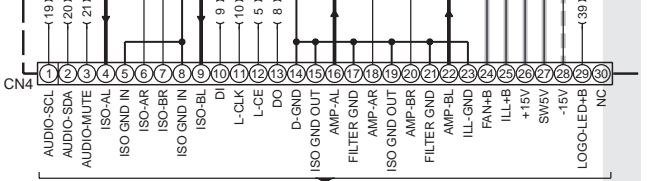
# KAC-PS541/X541

(X09-5780-10) (A/2)



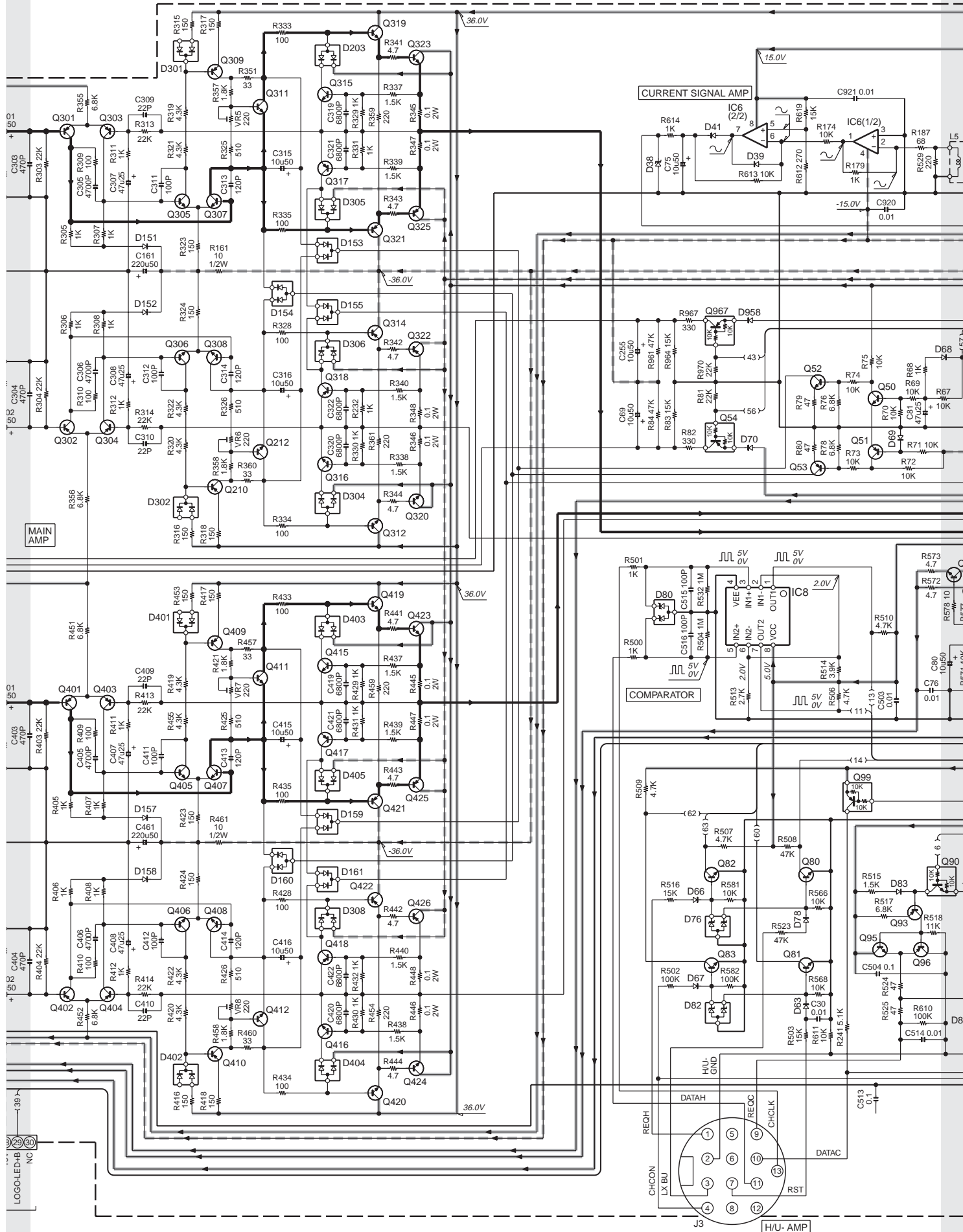
- |                           |                |                                   |
|---------------------------|----------------|-----------------------------------|
| IC1,2                     | : BA14741F     | Q1,2,24,30,31,41-44,50,52,        |
| IC3                       | : 784224YGC117 | 56,57,61,65,80-83,85,95,          |
| IC4                       | : PST3436LUL-E | 905,906,945,946 : 2SC4081         |
| IC6                       | : BA4560F      | Q7,8 : 2SC4097                    |
| IC8                       | : BA10393F     | Q9,10 : 2SA1577                   |
| IC9                       | : P82B96PN     | Q11-16,901,902 : 2SK3662-F        |
| IC10                      | : UPC494GS     | Q17 : 2SD2012-F                   |
|                           |                | Q18 : 2SB1375-F                   |
|                           |                | Q20 : 2SB1241                     |
|                           |                | Q21,62,64,77,84,86,90,92          |
| D1,2                      | : RM4ZLF-J1NF  | Q58,59 : DTA114EUA                |
| D4                        | : UDZS16B      | Q66,67 : 2SD1863                  |
| D8                        | : RD15JS-AZ(B) | Q210,309,409,410 : 2SA1376AA(L,K) |
| D9                        | : UDZS6.8B     | Q212,311,411,412 : 2SC3419(Y)     |
| D11,38,406                | : UDZS5.1B     | Q305-308 : 2SC3478AA(L,K)         |
| D12                       | : UDZS4.7B     | Q312,319,419,420 : 2SC2235-F      |
| D13                       | : S5566B-Q     | Q314,321,421,422 : 2SA965-F       |
| D17                       | : RD16JS-AZ(B) | Q315,316,415,416 : 2SC1845-A(F,E) |
| D25                       | : FCH20A20     | Q320,323,423,424 : 2SC3856NF      |
| D26                       | : FRH20A20     | Q322,325,425,426 : 2SA1492NF      |
| D29,30,91,102,154,160,    |                | Q405-408 : 2SC3478AA(L,K)         |
| 202,203,304,403,404,      |                |                                   |
| 915,955                   | : LM1MA142WA-G |                                   |
| D39,41,63,66-70,74,75,78, |                |                                   |
| 83-85,151,152,157,158,    |                |                                   |
| 958                       | : 1SS355       |                                   |
| D62,93,101,153,155,159,   |                |                                   |
| 161,201,301,302,305,306,  |                |                                   |
| 308,401,402,405           |                |                                   |
| D71                       | : LM1MA142WK-G |                                   |
| D72                       | : UDZS3.3B     |                                   |
| D76,80,82,87,88,          |                |                                   |
| 100,200                   | : UMZ6.8N      |                                   |

\_\_\_\_\_ SIGNAL LINE  
 \_\_\_\_\_ GND LINE  
 \_\_\_\_\_ +B LINE  
 \_\_\_\_\_ -B LINE

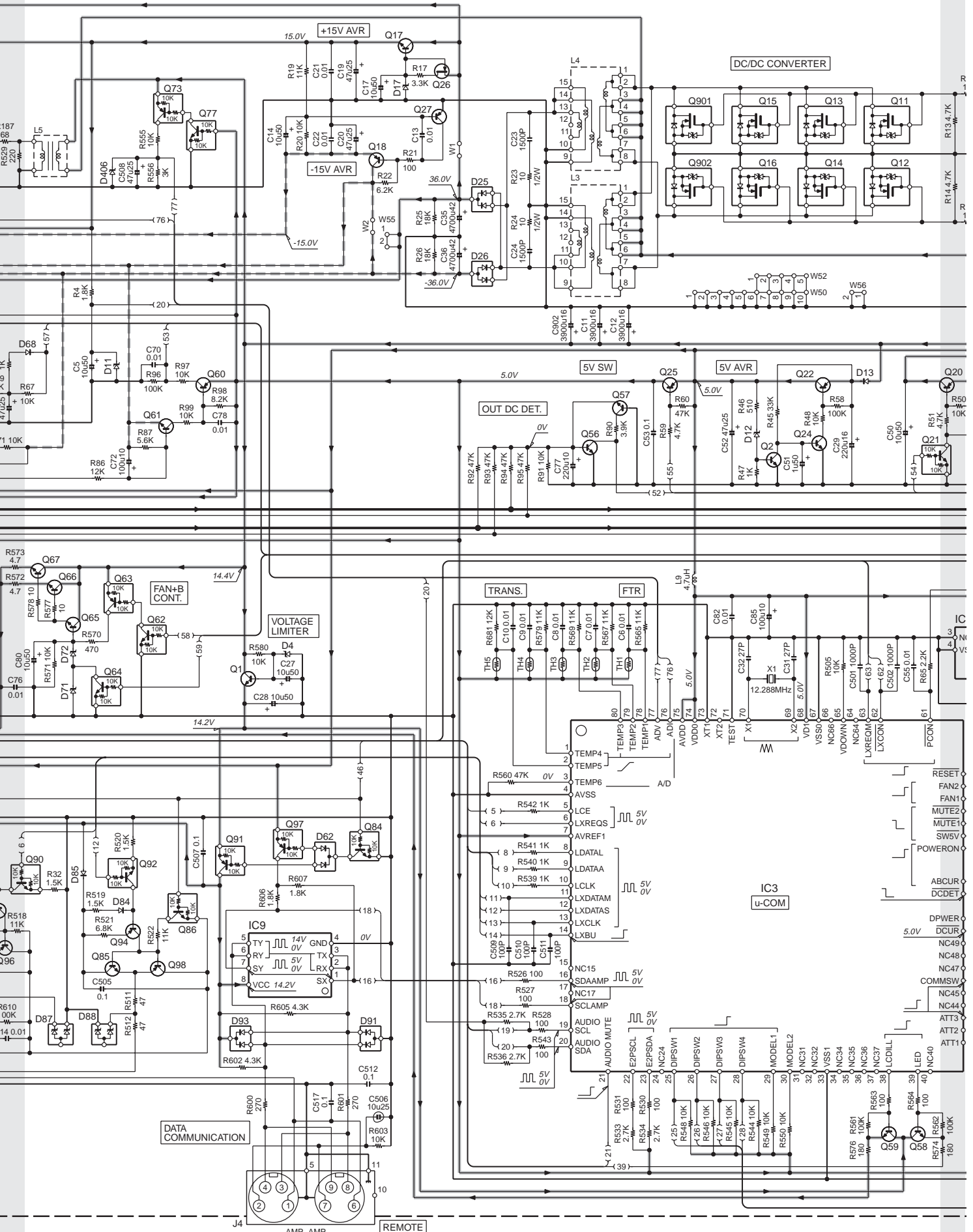


(A) X08-CN1 2/2

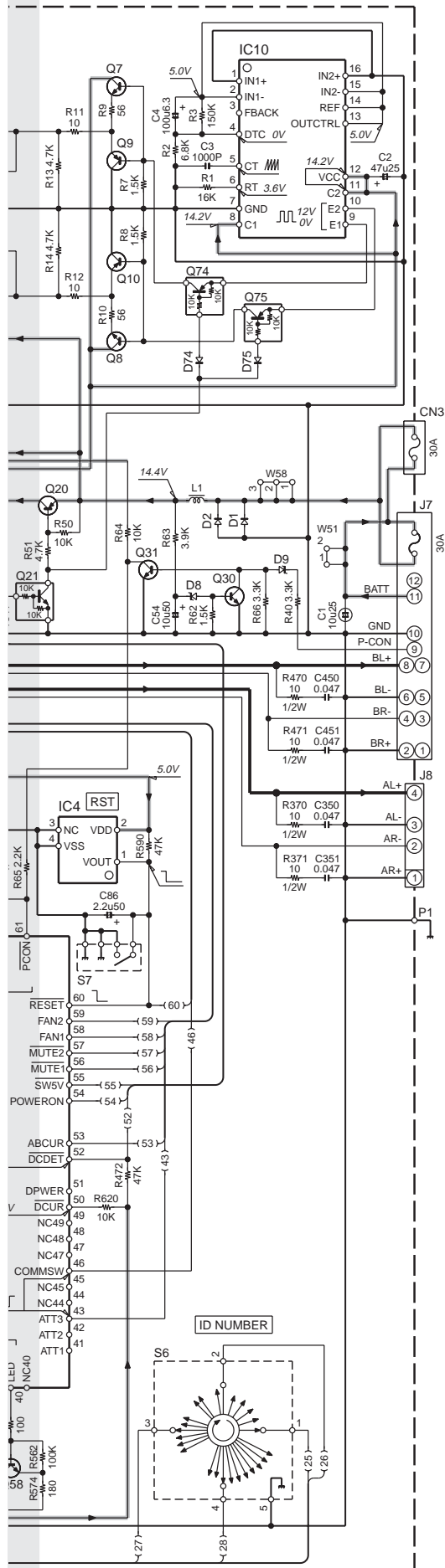
# KAC-PS541/X541



# KAC-PS541/X541

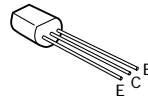


# KAC-PS541/X541

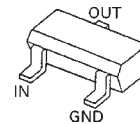


KAC-PS541/X541 (1/2)

2SA965-F  
2SA992-A  
2SC1845-A  
2SC2235-F



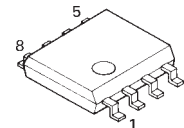
DTA114EUA  
DTC114EUA



2SA1576A



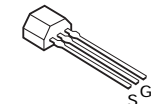
NJM4565MD-ZB



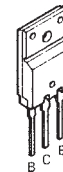
2SC3419



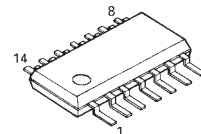
2SK246



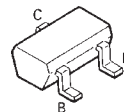
2SB1375-F  
2SD2012-F



NJM2058M-ZB



2SC4081



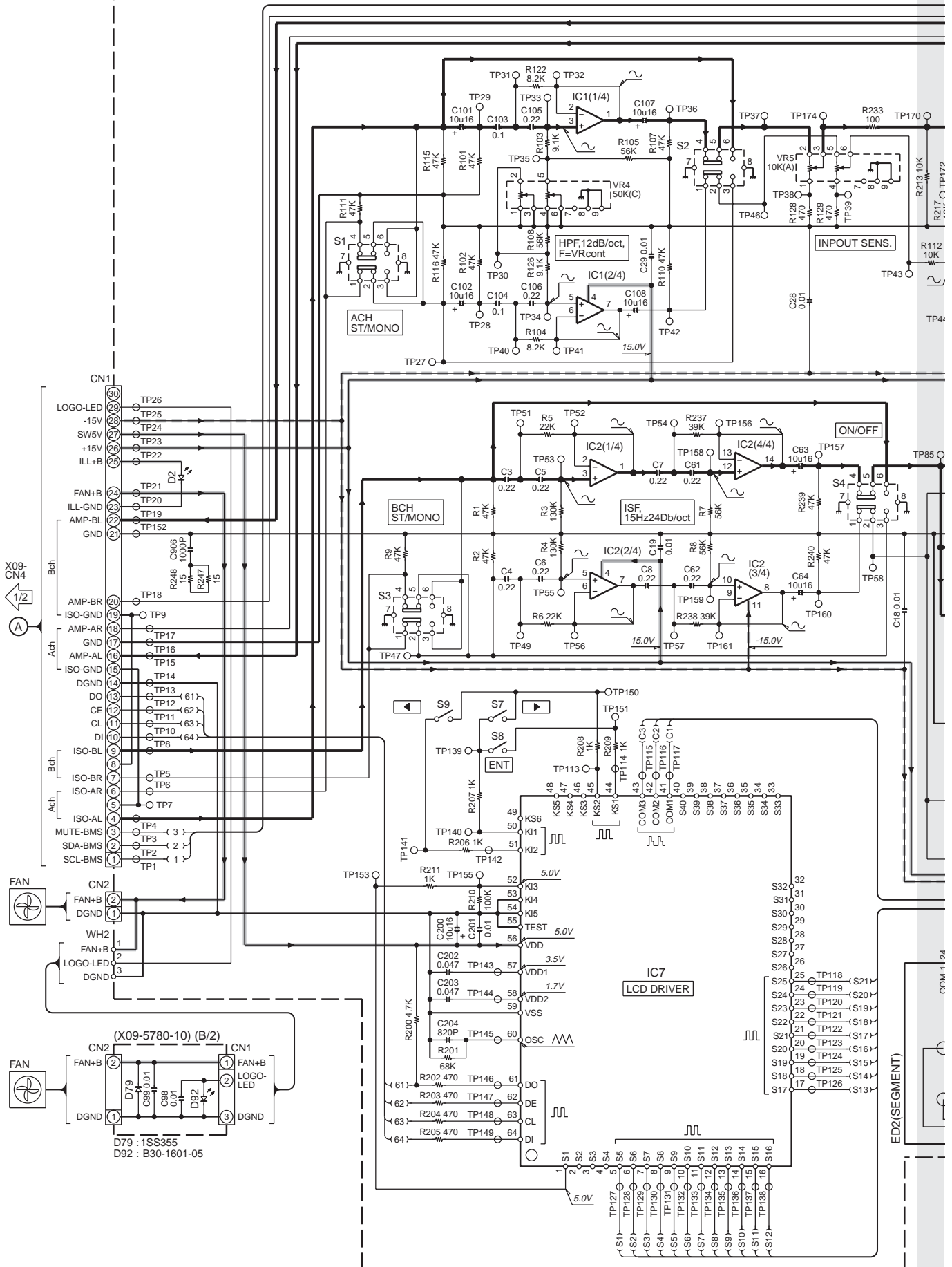
**CAUTION :** For continued safety, replace safety critical components only with manufacturer's recommended parts (refer to parts list).

⚠ Indicates safety critical components. To reduce the risk of electric shock, leakage-current or resistance measurements shall be carried out (exposed parts are acceptably insulated from the supply circuit) before the appliance is returned to the customer.

- DC voltages are as measured with a high impedance voltmeter. Values may vary slightly due to variations between individual instruments or/and units.

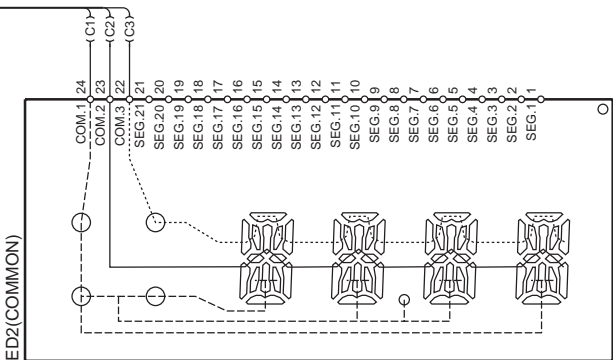
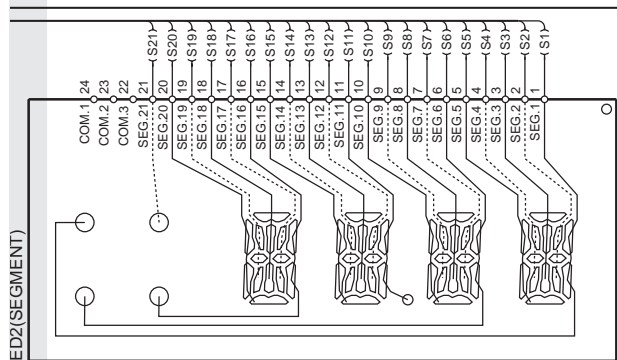
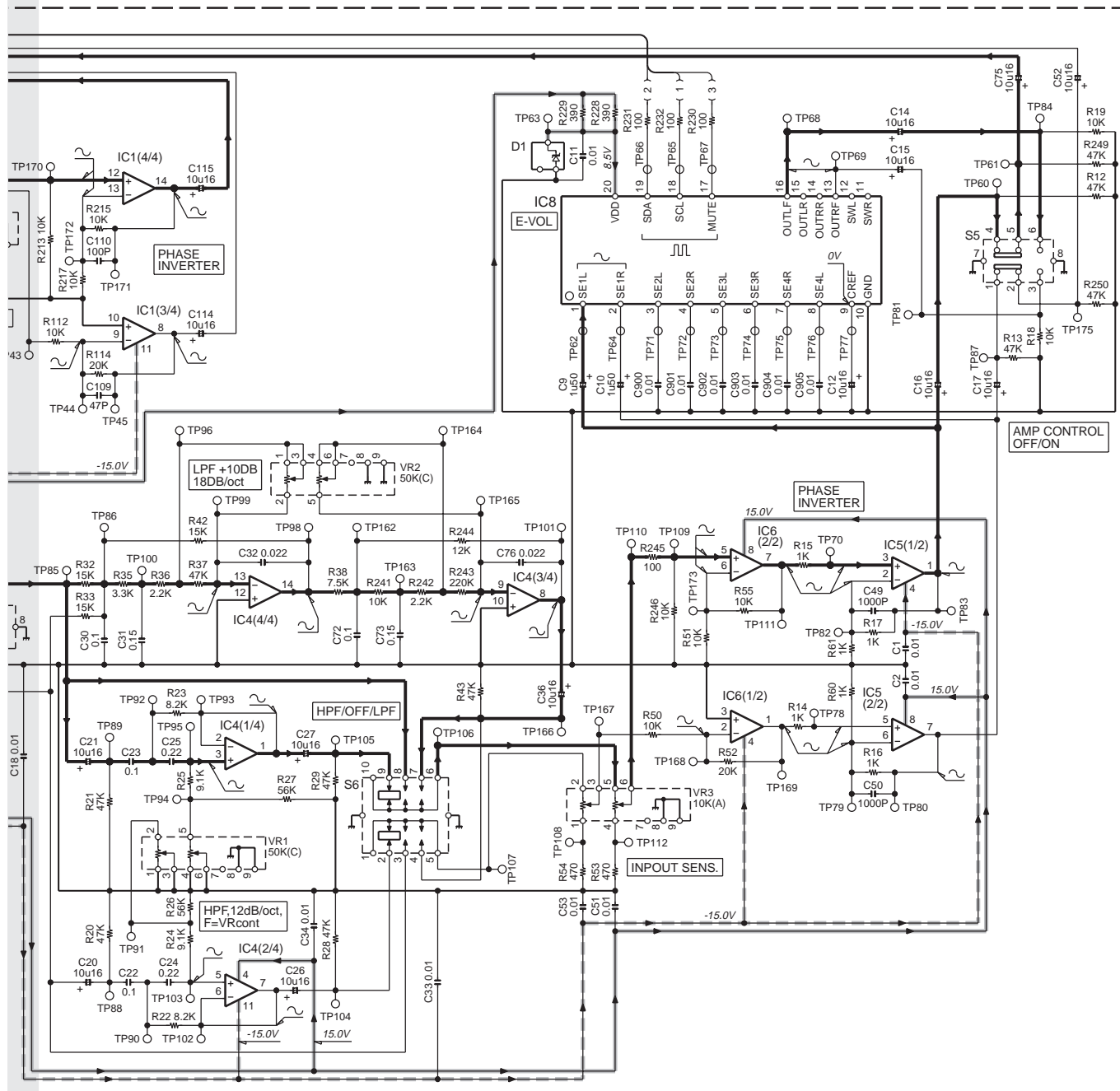
# KAC-PS541/X541

(X08-4160-10)





# KAC-PS541/X541



KAC-PS541/X541 (2/2)

- IC1,2,4 : NJM2058M-ZB
- IC5,6 : NJM4565MD-ZB
- IC7 : LC75853NE-E
- IC8 : E-TDA7409DTR
- D1 : MA3082-M
- D2 : B30-1694-05

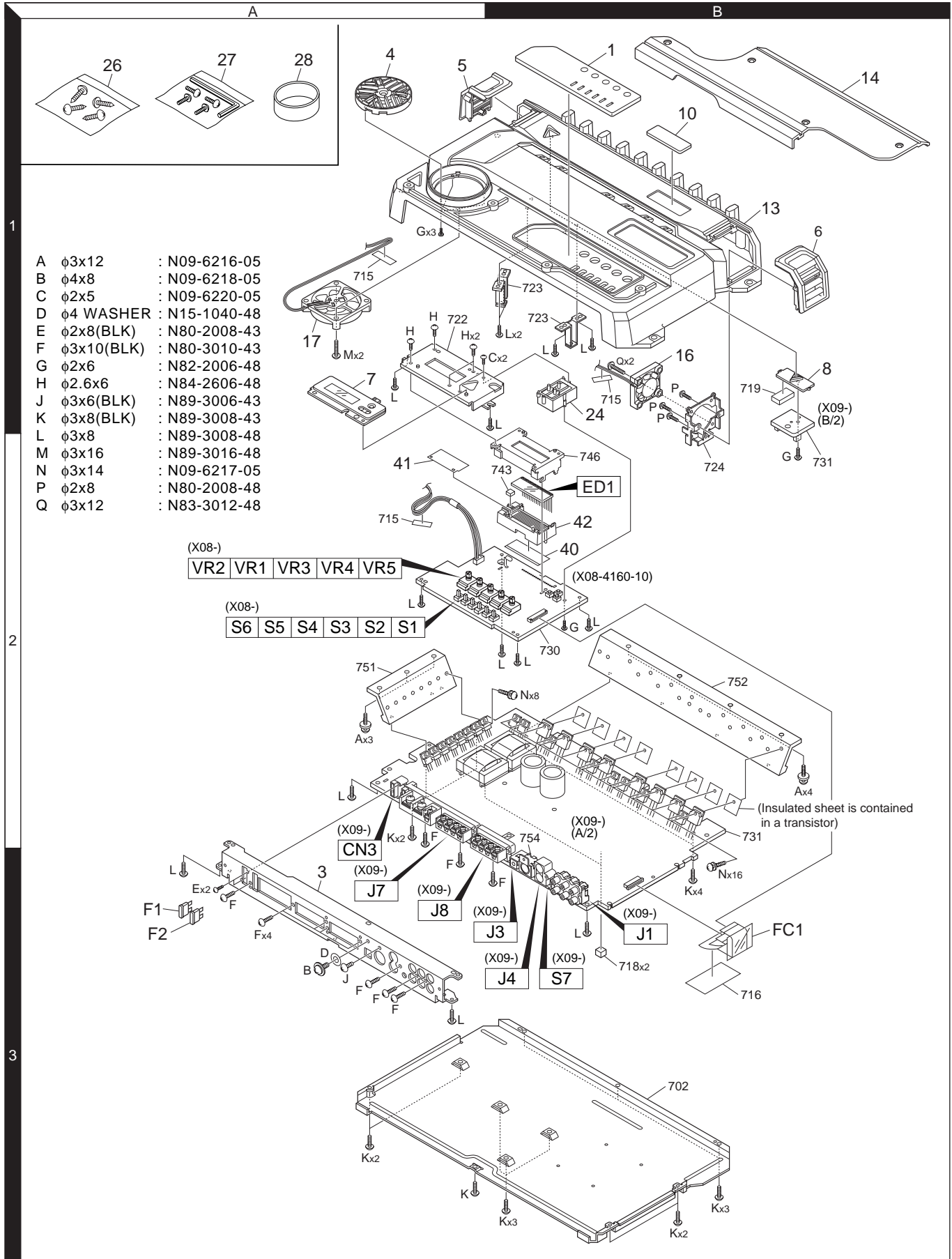
- SIGNAL LINE
- GND LINE
- +B LINE
- -B LINE

**CAUTION :** For continued safety, replace safety critical components only with manufacturer's recommended parts (refer to parts list).

⚠ Indicates safety critical components. To reduce the risk of electric shock, leakage-current or resistance measurements shall be carried out (exposed parts are acceptably insulated from the supply circuit) before the appliance is returned to the customer.

• DC voltages are as measured with a high impedance voltmeter. Values may vary slightly due to variations between individual instruments or/and units.

## EXPLODED VIEW



## PARTS LIST

\* New parts

Parts without **Parts No.** are not supplied.

Les articles non mentionnés dans le **Parts No.** ne sont pas fournis.

Teile ohne **Parts No.** werden nicht geliefert.

Ref. No.	Add	New	Parts No.	Description	Destination
<b>KAC-PS541/X541</b>					
1	1B	*	A21-4365-02	DRESSING PANEL	KM1
1	1B	*	A21-4366-02	DRESSING PANEL	E1
3	3A	*	A64-3299-02	PANEL	
4	1A	*	B07-3102-03	ESCUTCHEON	
5	1B	*	B07-3103-02	ESCUTCHEON	
6	1B	*	B07-3104-02	ESCUTCHEON	
7	1A	*	B10-4544-03	FRONT GLASS	
8	1B	*	B19-2257-03	LIGHTING BOARD	
10	1B	*	B43-1521-04	BADGE	KM1
10	1B	*	B43-1522-04	BADGE	E1
-			B46-0100-50	WARRANTY CARD	
-			B46-0648-13	USER CARD	K
-		*	B64-2799-00	INSTRUCT.MANUAL (ENG.FRE.SPA.)	KE1
-		*	B64-2800-00	INST.MANUAL (GER.DUT.ITA.POR.)	E1
-		*	B64-2801-00	INSTRUCTION MANUAL (ENG.T-CHI.)	M1
FC1	3B	*	E39-0643-05	FLAT CABLE	
13	1B	*	F01-1752-01	HEAT SINK	
14	1B	*	F07-1142-12	COVER	KM1
14	1B	*	F07-1143-12	COVER	E1
16	1B	*	F09-1846-05	FAN	
17	1A	*	F09-1885-05	FAN	
△ F1,2	3A		F52-0015-05	FUSE (BLADE TYPE) 30A	
-		*	H10-4894-13	POLYSTYRENE FOAMED FIXTURE	
-		*	H13-2056-04	CARTON BOARD	
-		*	H25-1199-04	PROTECTION BAG	
-		*	H25-1200-04	PROTECTION BAG (250X350X0.03)	
-		*	H54-3133-03	ITEM CARTON CASE	K
-		*	H54-3134-03	ITEM CARTON CASE	E1
-		*	H54-3135-03	ITEM CARTON CASE	M1
24	2B	*	K24-4146-03	KNOB (VR CAP)	
26	1A		N99-1577-15	SCREW SET	
27	1A	*	N99-1752-05	SCREW SET	
A	2A	*	N09-6216-05	TAPTITE SCREW	
B	3A	*	N09-6218-05	TAPTITE SCREW	
C	2B	*	N09-6220-05	MACHINE SCREW	
D	3A	*	N15-1040-48	FLAT WASHER (4)	
E	3A	*	N80-2008-43	PAN HEAD TAPTITE SCREW	
F	3A		N80-3010-43	PAN HEAD TAPTITE SCREW	
G	1A		N82-2006-48	BINDING HEAD TAPTITE SCREW	
H	2A	*	N84-2606-48	PAN HEAD TAPTITE SCREW	
J	3A		N89-3006-43	BINDING HEAD TAPTITE SCREW	
K	3A	*	N89-3008-43	BINDING HEAD TAPTITE SCREW	
L	2A		N89-3008-48	BINDING HEAD TAPTITE SCREW	
M	2A	*	N89-3016-48	BINDING HEAD TAPTITE SCREW	
P	2B	*	N80-2008-48	PAN HEAD TAPTITE SCREW	
Q	2B	*	N83-3012-48	PAN HEAD TAPTITE SCREW	
28	1A		W01-1606-05	ACCESSORY	

Ref. No.	Add	New	Parts No.	Description	Destination
<b>PREAMPLIFIER UNIT (X08-4160-10)</b>					
40	2B	*	B11-1446-04	REFLECTION SHEET	
41	2A	*	B11-1447-04	OPTICAL DIFFUSER	
42	2B	*	B19-2258-02	LIGHTING BOARD	
D2		*	B30-1694-05	LED	
ED2		*	B38-1150-05	LCD DISPLAY ASSY	
C1,2			CK73GB1H103K	CHIP C	0.010UF K
C3-8			CK73FB1C224K	CHIP C	0.22UF K
C9,10			CD04AS1H010M	ELECTRO	1UF 50WV
C11			CK73GB1H103K	CHIP C	0.010UF K
C12			CD04AS1C100M	ELECTRO	10UF 16WV
C14-17			CD04AS1C100M	ELECTRO	10UF 16WV
C18,19			CK73GB1H103K	CHIP C	0.010UF K
C20,21			CD04AS1C100M	ELECTRO	10UF 16WV
C22,23			CK73GB1C104K	CHIP C	0.10UF K
C24,25			CK73FB1C224K	CHIP C	0.22UF K
C26,27			CD04AS1C100M	ELECTRO	10UF 16WV
C28,29			CK73GB1H103K	CHIP C	0.010UF K
C30			CK73GB1H104K	CHIP C	0.10UF K
C31			CK73FB1C154K	CHIP C	0.15UF K
C32			CK73GB1E223K	CHIP C	0.022UF K
C33,34			CK73GB1H103K	CHIP C	0.010UF K
C36			CD04AS1C100M	ELECTRO	10UF 16WV
C49,50			CK73GB1H102K	CHIP C	1000PF K
C51			CK73GB1H103K	CHIP C	0.010UF K
C52			CD04AS1C100M	ELECTRO	10UF 16WV
C53			CK73GB1H103K	CHIP C	0.010UF K
C61,62			CK73FB1C224K	CHIP C	0.22UF K
C63,64			CD04AS1C100M	ELECTRO	10UF 16WV
C72			CK73GB1C104K	CHIP C	0.10UF K
C73			CK73FB1C154K	CHIP C	0.15UF K
C75			CD04AS1C100M	ELECTRO	10UF 16WV
C76			CK73GB1E223K	CHIP C	0.022UF K
C101,102			CD04AS1C100M	ELECTRO	10UF 16WV
C103,104			CK73GB1C104K	CHIP C	0.10UF K
C105,106			CK73FB1C224K	CHIP C	0.22UF K
C107,108			CD04AS1C100M	ELECTRO	10UF 16WV
C109			CC73GCH1H470J	CHIP C	47PF J
C110			CC73GCH1H101J	CHIP C	100PF J
C114,115			CD04AS1C100M	ELECTRO	10UF 16WV
C200			CD04AS1C100M	ELECTRO	10UF 16WV
C201			CK73GB1H103K	CHIP C	0.010UF K
C202,203			CK73GB1H473K	CHIP C	0.047UF K
C204			CK73GB1H821K	CHIP C	820PF K
C900-905			CK73GB1H103K	CHIP C	0.010UF K
C906			CK73GB1H102K	CHIP C	1000PF K
CN1		*	E41-2186-05	FLAT CABLE CONNECTOR	
CN2		*	E41-0941-05	PIN ASSY	
WH2		*	E39-0655-05	WIRING HARNESS	
R1,2			RK73GB2A473J	CHIP R	47K J 1/10W
R3,4			RK73GB2A134J	CHIP R	130K J 1/10W
R5,6			RK73GB2A223J	CHIP R	22K J 1/10W
R7,8			RK73GB2A563J	CHIP R	56K J 1/10W
R9			RK73GB2A473J	CHIP R	47K J 1/10W

E1 : KAC-PS541 K : KAC-X541 M1 : KAC-X541  
 (E : Europe K : North America M : Other Areas)

△ Indicates safety critical components.

## PARTS LIST

\* New parts

Parts without **Parts No.** are not supplied.

Les articles non mentionnés dans le **Parts No.** ne sont pas fournis.

Teile ohne **Parts No.** werden nicht geliefert.

### PREAMPLIFIER UNIT (X08-4160-10)

Ref. No.	A d d	N e w	Parts No.	Description	Desti- nation
R12,13			RK73GB2A473J	CHIP R 47K J 1/10W	
R14-17			RK73GB2A102J	CHIP R 1.0K J 1/10W	
R18,19			RK73GB2A103J	CHIP R 10K J 1/10W	
R20,21			RK73GB2A473J	CHIP R 47K J 1/10W	
R22,23			RK73GB2A822J	CHIP R 8.2K J 1/10W	
R24,25			RK73GB2A912J	CHIP R 9.1K J 1/10W	
R26,27			RK73GB2A563J	CHIP R 56K J 1/10W	
R28,29			RK73GB2A473J	CHIP R 47K J 1/10W	
R32,33			RK73GB2A153J	CHIP R 15K J 1/10W	
R35			RK73GB2A332J	CHIP R 3.3K J 1/10W	
R36			RK73GB2A222J	CHIP R 2.2K J 1/10W	
R37			RK73GB2A473J	CHIP R 47K J 1/10W	
R38			RK73GB2A752J	CHIP R 7.5K J 1/10W	
R42			RK73GB2A153J	CHIP R 15K J 1/10W	
R43			RK73GB2A473J	CHIP R 47K J 1/10W	
R50,51			RK73GB2A103J	CHIP R 10K J 1/10W	
R52			RK73GB2A203J	CHIP R 20K J 1/10W	
R53,54			RK73GB2A471J	CHIP R 470 J 1/10W	
R55			RK73GB2A103J	CHIP R 10K J 1/10W	
R60,61			RK73GB2A102J	CHIP R 1.0K J 1/10W	
R101,102			RK73GB2A473J	CHIP R 47K J 1/10W	
R103			RK73GB2A912J	CHIP R 9.1K J 1/10W	
R104			RK73GB2A822J	CHIP R 8.2K J 1/10W	
R105			RK73GB2A563J	CHIP R 56K J 1/10W	
R107			RK73GB2A473J	CHIP R 47K J 1/10W	
R108			RK73GB2A563J	CHIP R 56K J 1/10W	
R110,111			RK73GB2A473J	CHIP R 47K J 1/10W	
R112			RK73GB2A103J	CHIP R 10K J 1/10W	
R114			RK73GB2A203J	CHIP R 20K J 1/10W	
R115,116			RK73GB2A473J	CHIP R 47K J 1/10W	
R122			RK73GB2A822J	CHIP R 8.2K J 1/10W	
R126			RK73GB2A912J	CHIP R 9.1K J 1/10W	
R128,129			RK73GB2A471J	CHIP R 470 J 1/10W	
R200			RK73GB2A472J	CHIP R 4.7K J 1/10W	
R201			RK73GB2A683J	CHIP R 68K J 1/10W	
R202-205			RK73GB2A471J	CHIP R 470 J 1/10W	
R206-209			RK73GB2A102J	CHIP R 1.0K J 1/10W	
R210			RK73GB2A104J	CHIP R 100K J 1/10W	
R211			RK73GB2A102J	CHIP R 1.0K J 1/10W	
R213			RK73GB2A103J	CHIP R 10K J 1/10W	
R215			RK73GB2A103J	CHIP R 10K J 1/10W	
R217			RK73GB2A103J	CHIP R 10K J 1/10W	
R228,229			RD14BB2C391J	RD 390 J 1/6W	
R230-233			RK73GB2A101J	CHIP R 100 J 1/10W	
R237,238			RK73GB2A393J	CHIP R 39K J 1/10W	
R239,240			RK73GB2A473J	CHIP R 47K J 1/10W	
R241			RK73GB2A103J	CHIP R 10K J 1/10W	
R242			RK73GB2A222J	CHIP R 2.2K J 1/10W	
R243			RK73GB2A224J	CHIP R 220K J 1/10W	
R244			RK73GB2A123J	CHIP R 12K J 1/10W	
R245			RK73GB2A101J	CHIP R 100 J 1/10W	
R246			RK73GB2A103J	CHIP R 10K J 1/10W	
R247,248			RK73GB2A150J	CHIP R 15 J 1/10W	
R249,250			RK73GB2A473J	CHIP R 47K J 1/10W	
VR1,2		*	R31-0241-05	VARIABLE RESISTOR	

Ref. No.	A d d	N e w	Parts No.	Description	Desti- nation
VR3		*	R31-0238-05	VARIABLE RESISTOR	
VR4		*	R31-0241-05	VARIABLE RESISTOR	
VR5		*	R31-0238-05	VARIABLE RESISTOR	
S1-5		*	S62-0873-05	SLIDE SWITCH	
S6		*	S62-0874-05	SLIDE SWITCH	
S7-9		*	S70-0922-05	TACT SWITCH	
D1			MA3082-M	ZENER DIODE	
IC1,2		*	NJM2058M-ZB	ANALOGUE IC	
IC4		*	NJM2058M-ZB	ANALOGUE IC	
IC5,6		*	NJM4565MD-ZB	ANALOGUE IC	
IC7		*	LC75853NE-E	MOS-IC	
IC8		*	E-TDA7409DTR	ANALOGUE IC	
<b>AUDIO UNIT (X09-5780-10)</b>					
D92			B30-1601-05	LED	
C1		*	C90-5557-05	ELECTRO 10UF 25WV	
C2		*	C90-5588-05	ELECTRO 47UF 25WV	
C3			CF92FV1H102J	MF-C 1000PF J	
C4			C90-5566-05	ELECTRO 100UF 6.3WV	
C5			C90-5605-05	ELECTRO 10UF 50WV	
C6-10			CK73GB1H103K	CHIP C 0.010UF K	
C11,12		*	CD04BC1C392M	ELECTRO 3900UF 16WV	
C13			CK73GB1H103K	CHIP C 0.010UF K	
C14			C90-5605-05	ELECTRO 10UF 50WV	
C17			C90-5605-05	ELECTRO 10UF 50WV	
C19,20		*	C90-5588-05	ELECTRO 47UF 25WV	
C21,22			CK73GB1H103K	CHIP C 0.010UF K	
C23,24			CF92FV1H152J	MF-C 1500PF J	
C27,28			C90-5605-05	ELECTRO 10UF 50WV	
C29		*	C90-5590-05	ELECTRO 220UF 25WV	
C30			CK73GB1H103K	CHIP C 0.010UF K	
C31,32			CC73GCH1H270J	CHIP C 27PF J	
C33,34			CK73GB1H103K	CHIP C 0.010UF K	
C35,36		*	C90-5691-05	ELECTRO 4700UF 42WV	
C37,38			CK73GB1H103K	CHIP C 0.010UF K	
C50			C90-5605-05	ELECTRO 10UF 50WV	
C51			C90-5601-05	ELECTRO 1UF 50WV	
C52		*	C90-5588-05	ELECTRO 47UF 25WV	
C53			CK73GB1C104K	CHIP C 0.10UF K	
C54			C90-5605-05	ELECTRO 10UF 50WV	
C55			CK73GB1H103K	CHIP C 0.010UF K	
C69			C90-5605-05	ELECTRO 10UF 50WV	
C70			CK73GB1H103K	CHIP C 0.010UF K	
C72			C90-5572-05	ELECTRO 100UF 10WV	
C75			C90-5605-05	ELECTRO 10UF 50WV	
C76			CK73GB1H103K	CHIP C 0.010UF K	
C77			C90-5573-05	ELECTRO 220UF 10WV	
C78			CK73GB1H103K	CHIP C 0.010UF K	
C80			C90-5605-05	ELECTRO 10UF 50WV	
C81		*	C90-5588-05	ELECTRO 47UF 25WV	
C82			CK73GB1H103K	CHIP C 0.010UF K	
C85			C90-5572-05	ELECTRO 100UF 10WV	
C86			C90-5602-05	ELECTRO 2.2UF 50WV	
C98,99			CK73GB1H103K	CHIP C 0.010UF K	

E1 : KAC-PS541 K : KAC-X541 M1 : KAC-X541  
(E : Europe K : North America M : Other Areas)

△ Indicates safety critical components.

## PARTS LIST

\* New parts

Parts without **Parts No.** are not supplied.

Les articles non mentionnés dans le **Parts No.** ne sont pas fournis.

Teile ohne **Parts No.** werden nicht geliefert.

### AUDIO UNIT (X09-5780-10)

Ref. No.	Add	New	Parts No.	Description	Destination	Ref. No.	Add	New	Parts No.	Description	Destination
C100			CF92FV1H102J	MF-C 1000PF J		C517			CK73FB1H104K	CHIP C 0.10UF K	
C101,102			CK73GB1H102K	CHIP C 1000PF K		C902		*	CD04BC1C392M	ELECTRO 3900UF 16WV	
C103,104			C90-5605-05	ELECTRO 10UF 50WV		C920,921			CK73GB1H103K	CHIP C 0.010UF K	
C105,106			CC73GCH1H150J	CHIP C 15PF J		CN1			E41-0928-05	PIN ASSY	
C113,114			CC73GCH1H150J	CHIP C 15PF J		CN2			E41-0927-05	PIN ASSY	
C115,116			C90-5605-05	ELECTRO 10UF 50WV		CN4		*	E41-2203-05	FLAT CABLE CONNECTOR	
C124			CK73FB1H104K	CHIP C 0.10UF K		J1		*	E63-0902-05	PIN JACK	
C125			CK73GB1H471K	CHIP C 470PF K		J3		*	E56-0856-05	CYLINDRICAL RECEPTACLE	
C126			CK73GB1H102K	CHIP C 1000PF K		J4		*	E56-0853-05	CYLINDRICAL RECEPTACLE	
C131,132			CC73GCH1H150J	CHIP C 15PF J		J7			E70-0838-05	SCREW TERMINAL BOARD	
C150			C90-5575-05	ELECTRO 22UF 16WV		J8		*	E70-0840-05	SCREW TERMINAL BOARD	
C161		*	C90-5607-05	ELECTRO 220UF 50WV		△ CN3			J13-0602-05	FUSE HOLDER	
C200			CF92FV1H102J	MF-C 1000PF J		L1		*	L33-1972-05	CHOKE COIL	
C201,202			CK73GB1H102K	CHIP C 1000PF K		L3,4		*	L19-0755-05	TRANSFORMER FOR CONVERTER	
C203,204			C90-5605-05	ELECTRO 10UF 50WV		L5		*	L19-0758-05	TRANSFORMER FOR CONVERTER	
C205,206			CC73GCH1H150J	CHIP C 15PF J		L9			L40-4795-68	SMALL FIXED INDUCTOR (4.7UH)	
C213,214			CC73GCH1H150J	CHIP C 15PF J		X1			L77-2844-05	CRYSTAL RESONATOR (12.288MHZ)	
C215,216			C90-5575-05	ELECTRO 22UF 16WV		F	3A		N80-3010-43	PAN HEAD TAPTITE SCREW	
C224			CK73FB1H104K	CHIP C 0.10UF K		K	3A	*	N89-3008-43	BINDING HEAD TAPTITE SCREW	
C225			CK73GB1H471K	CHIP C 470PF K		N	2B	*	N09-6217-05	TAPTITE SCREW	
C226			CK73GB1H102K	CHIP C 1000PF K		R1			RK73GB2A163J	CHIP R 16K J 1/10W	
C231,232			CC73GCH1H150J	CHIP C 15PF J		R2			RK73GB2A682J	CHIP R 6.8K J 1/10W	
C250			C90-5575-05	ELECTRO 22UF 16WV		R3			RK73GB2A154J	CHIP R 150K J 1/10W	
C255			C90-5605-05	ELECTRO 10UF 50WV		R4			RD14BB2C182J	RD 1.8K J 1/6W	
C301,302			C90-5605-05	ELECTRO 10UF 50WV		R7,8			RK73GB2A152J	CHIP R 1.5K J 1/10W	
C303,304			CK73GB1H471K	CHIP C 470PF K		R9,10			RK73GB2A560J	CHIP R 56 J 1/10W	
C305,306			CF92FV1H472J	MF-C 4700PF J		R11,12			RK73GB2A100J	CHIP R 10 J 1/10W	
C307,308		*	C90-5588-05	ELECTRO 47UF 25WV		R13,14			RK73GB2A472J	CHIP R 4.7K J 1/10W	
C309,310			CC45FSL1H220J	CERAMIC 22PF J		R17			RD14BB2C332J	RD 3.3K J 1/6W	
C311,312			CC45FSL1H101J	CERAMIC 100PF J		R19			RK73GB2A113J	CHIP R 11K J 1/10W	
C313,314			CC45FSL1H121J	CERAMIC 120PF J		R20			RK73GB2A103J	CHIP R 10K J 1/10W	
C315,316			C90-5605-05	ELECTRO 10UF 50WV		R21			RK73FB2B101J	CHIP R 100 J 1/8W	
C319-322			CK73GB1H682K	CHIP C 6800PF K		R22			RD14BB2C622J	RD 6.2K J 1/6W	
C350,351			CF92FV1H473J	MF-C 0.047UF J		R23,24			RD14DB2H100J	SMALL-RD 10 J 1/2W	
C401,402			C90-5605-05	ELECTRO 10UF 50WV		R25,26			RD14BB2C183J	RD 18K J 1/6W	
C403,404			CK73GB1H471K	CHIP C 470PF K		R32			RK73GB2A152J	CHIP R 1.5K J 1/10W	
C405,406			CF92FV1H472J	MF-C 4700PF J		R40			RK73GB2A332J	CHIP R 3.3K J 1/10W	
C407,408		*	C90-5588-05	ELECTRO 47UF 25WV		R45			RK73GB2A333J	CHIP R 33K J 1/10W	
C409,410			CC45FSL1H220J	CERAMIC 22PF J		R46			RK73GB2A511J	CHIP R 510 J 1/10W	
C411,412			CC45FSL1H101J	CERAMIC 100PF J		R47			RK73GB2A102J	CHIP R 1.0K J 1/10W	
C413,414			CC45FSL1H121J	CERAMIC 120PF J		R48			RK73GB2A103J	CHIP R 10K J 1/10W	
C415,416			C90-5605-05	ELECTRO 10UF 50WV		R50			RK73GB2A103J	CHIP R 10K J 1/10W	
C419-422			CK73GB1H682K	CHIP C 6800PF K		R51			RK73GB2A472J	CHIP R 4.7K J 1/10W	
C450,451			CF92FV1H473J	MF-C 0.047UF J		R58			RK73GB2A104J	CHIP R 100K J 1/10W	
C461		*	C90-5607-05	ELECTRO 220UF 50WV		R59			RK73GB2A472J	CHIP R 4.7K J 1/10W	
C501,502			CK73GB1H102K	CHIP C 1000PF K		R60			RK73GB2A473J	CHIP R 47K J 1/10W	
C503			CK73GB1H103K	CHIP C 0.010UF K		R62			RK73GB2A152J	CHIP R 1.5K J 1/10W	
C504,505			CK73GB1H104K	CHIP C 0.10UF K		R63			RK73GB2A392J	CHIP R 3.9K J 1/10W	
C506		*	C90-5557-05	ELECTRO 10UF 25WV		R64			RK73GB2A103J	CHIP R 10K J 1/10W	
C507			CK73GB1C104K	CHIP C 0.10UF K		R65			RK73GB2A222J	CHIP R 2.2K J 1/10W	
C508		*	C90-5588-05	ELECTRO 47UF 25WV		R66			RK73GB2A332J	CHIP R 3.3K J 1/10W	
C509-511			CC73GCH1H101J	CHIP C 100PF J		R67			RK73GB2A103J	CHIP R 10K J 1/10W	
C512,513			CK73FB1H104K	CHIP C 0.10UF K		R68			RK73GB2A102J	CHIP R 1.0K J 1/10W	
C514			CK73GB1H103K	CHIP C 0.010UF K							
C515,516			CC73GCH1H101J	CHIP C 100PF J							

E1 : KAC-PS541 K : KAC-X541 M1 : KAC-X541  
(E : Europe K : North America M : Other Areas)

△ Indicates safety critical components.

## PARTS LIST

\* New parts

Parts without **Parts No.** are not supplied.

Les articles non mentionnés dans le **Parts No.** ne sont pas fournis.

Teile ohne **Parts No.** werden nicht geliefert.

### AUDIO UNIT (X09-5780-10)

Ref. No.	A d d	N e w	Parts No.	Description	Desti- nation
R69-75			RK73GB2A103J	CHIP R 10K J 1/10W	
R76			RK73GB2A682J	CHIP R 6.8K J 1/10W	
R78			RK73GB2A682J	CHIP R 6.8K J 1/10W	
R79,80			RK73GB2A470J	CHIP R 47 J 1/10W	
R81			RK73GB2A223J	CHIP R 22K J 1/10W	
R82			RK73GB2A331J	CHIP R 330 J 1/10W	
R83			RK73GB2A153J	CHIP R 15K J 1/10W	
R84			RK73GB2A473J	CHIP R 47K J 1/10W	
R86			RK73GB2A123J	CHIP R 12K J 1/10W	
R87			RK73GB2A562J	CHIP R 5.6K J 1/10W	
R90			RK73GB2A392J	CHIP R 3.9K J 1/10W	
R91			RK73GB2A103J	CHIP R 10K J 1/10W	
R92-95			RK73GB2A473J	CHIP R 47K J 1/10W	
R96			RK73GB2A104J	CHIP R 100K J 1/10W	
R97			RK73GB2A103J	CHIP R 10K J 1/10W	
R98			RK73GB2A822J	CHIP R 8.2K J 1/10W	
R99			RK73GB2A103J	CHIP R 10K J 1/10W	
R100			RK73EB2E102J	CHIP R 1.0K J 1/4W	
R101,102			RD14BB2C102J	RD 1.0K J 1/6W	
R103-108			RK73GB2A103J	CHIP R 10K J 1/10W	
R109-112			RN73GH1J103D	CHIP R 10K D 1/16W	
R123-126			RN73GH1J103D	CHIP R 10K D 1/16W	
R127,128			RK73GB2A223J	CHIP R 22K J 1/10W	
R161			RD14DB2H100J	SMALL-RD 10 J 1/2W	
R170			RK73GB2A102J	CHIP R 1.0K J 1/10W	
R172			RK73GB2A102J	CHIP R 1.0K J 1/10W	
R174			RK73GB2A103J	CHIP R 10K J 1/10W	
R179			RK73GB2A102J	CHIP R 1.0K J 1/10W	
R187			RK73GB2A680J	CHIP R 68 J 1/10W	
R194-196			RK73GB2A222J	CHIP R 2.2K J 1/10W	
R197			RD14BB2C301J	RD 300 J 1/6W	
R200			RK73EB2E102J	CHIP R 1.0K J 1/4W	
R201,202			RD14BB2C102J	RD 1.0K J 1/6W	
R203-208			RK73GB2A103J	CHIP R 10K J 1/10W	
R209-212			RN73GH1J103D	CHIP R 10K D 1/16W	
R223-226			RN73GH1J103D	CHIP R 10K D 1/16W	
R227,228			RK73GB2A223J	CHIP R 22K J 1/10W	
R232			RK73FB2B102J	CHIP R 1.0K J 1/8W	
R241			RK73GB2A512J	CHIP R 5.1K J 1/10W	
R270			RK73GB2A102J	CHIP R 1.0K J 1/10W	
R272			RK73GB2A102J	CHIP R 1.0K J 1/10W	
R294-296			RK73GB2A222J	CHIP R 2.2K J 1/10W	
R297			RD14BB2C301J	RD 300 J 1/6W	
R301,302			RK73GB2A302J	CHIP R 3.0K J 1/10W	
R303,304			RK73FB2B223J	CHIP R 22K J 1/8W	
R305-308			RK73FB2B102J	CHIP R 1.0K J 1/8W	
R309,310			RK73FB2B101J	CHIP R 100 J 1/8W	
R311,312			RK73FB2B102J	CHIP R 1.0K J 1/8W	
R313,314			RK73FB2B223J	CHIP R 22K J 1/8W	
R315-318			RK73FB2B151J	CHIP R 150 J 1/8W	
R319-322			RD14NB2E432J	RD 4.3K J 1/4W	
R323,324			RK73FB2B151J	CHIP R 150 J 1/8W	
R325,326			RK73GB2A511J	CHIP R 510 J 1/10W	
R328			RD14NB2E101J	RD 100 J 1/4W	
R329-331			RK73FB2B102J	CHIP R 1.0K J 1/8W	

Ref. No.	A d d	N e w	Parts No.	Description	Desti- nation
R333-335			RD14NB2E101J	RD 100 J 1/4W	
R337-340			RK73FB2B152J	CHIP R 1.5K J 1/8W	
R341-344			RD14NB2E4R7J	RD 4.7 J 1/4W	
R345-348			R92-0205-05	METAL-PLATE 0.1 K 2W	
R351			RK73GB2A330J	CHIP R 33 J 1/10W	
R355,356			RK73FB2B682J	CHIP R 6.8K J 1/8W	
R357,358			RK73GB2A182J	CHIP R 1.8K J 1/10W	
R359			RD14NB2E221J	RD 220 J 1/4W	
R360			RK73GB2A330J	CHIP R 33 J 1/10W	
R361			RD14NB2E221J	RD 220 J 1/4W	
R365,366			RK73GB2A622J	CHIP R 6.2K J 1/10W	
R370,371			RD14DB2H100J	SMALL-RD 10 J 1/2W	
R401,402			RK73GB2A302J	CHIP R 3.0K J 1/10W	
R403,404			RK73FB2B223J	CHIP R 22K J 1/8W	
R405-408			RK73FB2B102J	CHIP R 1.0K J 1/8W	
R409,410			RK73FB2B101J	CHIP R 100 J 1/8W	
R411,412			RK73FB2B102J	CHIP R 1.0K J 1/8W	
R413,414			RK73FB2B223J	CHIP R 22K J 1/8W	
R416-418			RK73FB2B151J	CHIP R 150 J 1/8W	
R419,420			RD14NB2E432J	RD 4.3K J 1/4W	
R421			RK73GB2A182J	CHIP R 1.8K J 1/10W	
R422			RD14NB2E432J	RD 4.3K J 1/4W	
R423,424			RK73FB2B151J	CHIP R 150 J 1/8W	
R425,426			RK73GB2A511J	CHIP R 510 J 1/10W	
R428			RD14NB2E101J	RD 100 J 1/4W	
R429-432			RK73FB2B102J	CHIP R 1.0K J 1/8W	
R433-435			RD14NB2E101J	RD 100 J 1/4W	
R437-440			RK73FB2B152J	CHIP R 1.5K J 1/8W	
R441-444			RD14NB2E4R7J	RD 4.7 J 1/4W	
R445-448			R92-0205-05	METAL-PLATE 0.1 K 2W	
R451,452			RK73FB2B682J	CHIP R 6.8K J 1/8W	
R453			RK73FB2B151J	CHIP R 150 J 1/8W	
R454			RD14NB2E221J	RD 220 J 1/4W	
R455			RD14NB2E432J	RD 4.3K J 1/4W	
R457			RK73GB2A330J	CHIP R 33 J 1/10W	
R458			RK73GB2A182J	CHIP R 1.8K J 1/10W	
R459			RD14NB2E221J	RD 220 J 1/4W	
R460			RK73GB2A330J	CHIP R 33 J 1/10W	
R461			RD14DB2H100J	SMALL-RD 10 J 1/2W	
R465,466			RK73GB2A622J	CHIP R 6.2K J 1/10W	
R470,471			RD14DB2H100J	SMALL-RD 10 J 1/2W	
R472			RK73GB2A473J	CHIP R 47K J 1/10W	
R500,501			RD14BB2C102J	RD 1.0K J 1/6W	
R502			RD14BB2C104J	RD 100K J 1/6W	
R503			RD14BB2C153J	RD 15K J 1/6W	
R504			RK73GB2A105J	CHIP R 1.0M J 1/10W	
R505			RK73GB2A103J	CHIP R 10K J 1/10W	
R506,507			RK73GB2A472J	CHIP R 4.7K J 1/10W	
R508			RK73GB2A473J	CHIP R 47K J 1/10W	
R509,510			RK73GB2A472J	CHIP R 4.7K J 1/10W	
R511			RK73GB2A470J	CHIP R 47 J 1/10W	
R512			RD14BB2C470J	RD 47 J 1/6W	
R513			RK73GB2A272J	CHIP R 2.7K J 1/10W	
R514			RK73GB2A392J	CHIP R 3.9K J 1/10W	
R515			RK73GB2A152J	CHIP R 1.5K J 1/10W	

E1 : KAC-PS541 K : KAC-X541 M1 : KAC-X541  
(E : Europe K : North America M : Other Areas)

△ Indicates safety critical components.

## PARTS LIST

\* New parts

Parts without **Parts No.** are not supplied.

Les articles non mentionnés dans le **Parts No.** ne sont pas fournis.

Teile ohne **Parts No.** werden nicht geliefert.

### AUDIO UNIT (X09-5780-10)

Ref. No.	Add	New	Parts No.	Description	Destination	Ref. No.	Add	New	Parts No.	Description	Destination
R516			RD14BB2C153J	RD 15K J 1/6W		R964			RK73GB2A153J	CHIP R 15K J 1/10W	
R517			RK73GB2A682J	CHIP R 6.8K J 1/10W		R967			RK73GB2A331J	CHIP R 330 J 1/10W	
R518			RK73GB2A113J	CHIP R 11K J 1/10W		R970			RK73GB2A223J	CHIP R 22K J 1/10W	
R519,520			RK73GB2A152J	CHIP R 1.5K J 1/10W		R973,974			RK73GB2A912J	CHIP R 9.1K J 1/10W	
R521			RK73GB2A682J	CHIP R 6.8K J 1/10W		VR5-8			R12-0092-05	TRIMMING POT. (220)	
R522			RK73GB2A113J	CHIP R 11K J 1/10W		W500-502			R92-1252-05	CHIP R 0 OHM J 1/16W	
R523			RD14BB2C473J	RD 47K J 1/6W		W503-509			R92-2053-05	CHIP R 0 J 1/8W	
R524			RK73GB2A470J	CHIP R 47 J 1/10W		W510			R92-1252-05	CHIP R 0 OHM J 1/16W	
R525			RD14BB2C470J	RD 47 J 1/6W		W511-514			R92-2053-05	CHIP R 0 J 1/8W	
R526-528			RK73GB2A101J	CHIP R 100 J 1/10W		W515			R92-1252-05	CHIP R 0 OHM J 1/16W	
R529			RD14BB2C221J	RD 220 J 1/6W		W516-522			R92-2053-05	CHIP R 0 J 1/8W	
R530,531			RK73GB2A101J	CHIP R 100 J 1/10W		W523,524			R92-1252-05	CHIP R 0 OHM J 1/16W	
R532			RK73GB2A105J	CHIP R 1.0M J 1/10W		W525-529			R92-2053-05	CHIP R 0 J 1/8W	
R533-536			RK73GB2A272J	CHIP R 2.7K J 1/10W		W530			R92-1252-05	CHIP R 0 OHM J 1/16W	
R539-542			RK73GB2A102J	CHIP R 1.0K J 1/10W		W531-534			R92-2053-05	CHIP R 0 J 1/8W	
R543			RK73GB2A101J	CHIP R 100 J 1/10W		W535,536			R92-1252-05	CHIP R 0 OHM J 1/16W	
R544-546			RK73GB2A103J	CHIP R 10K J 1/10W		W537-541			R92-2053-05	CHIP R 0 J 1/8W	
R548-550			RK73GB2A103J	CHIP R 10K J 1/10W		W542			R92-1252-05	CHIP R 0 OHM J 1/16W	
R555			RK73GB2A103J	CHIP R 10K J 1/10W		W543			R92-2053-05	CHIP R 0 J 1/8W	
R556			RK73GB2A302J	CHIP R 3.0K J 1/10W		W544-546			R92-1252-05	CHIP R 0 OHM J 1/16W	
R560			RK73GB2A473J	CHIP R 47K J 1/10W		W547			R92-2053-05	CHIP R 0 J 1/8W	
R561,562			RK73GB2A104J	CHIP R 100K J 1/10W		W548			R92-1252-05	CHIP R 0 OHM J 1/16W	
R563,564			RK73GB2A101J	CHIP R 100 J 1/10W		W549			R92-2053-05	CHIP R 0 J 1/8W	
R565			RK73GB2A113J	CHIP R 11K J 1/10W		W550-552			R92-1252-05	CHIP R 0 OHM J 1/16W	
R566			RK73GB2A103J	CHIP R 10K J 1/10W		W553			R92-2053-05	CHIP R 0 J 1/8W	
R567			RK73GB2A113J	CHIP R 11K J 1/10W		W554-560			R92-1252-05	CHIP R 0 OHM J 1/16W	
R568			RK73GB2A103J	CHIP R 10K J 1/10W		W561			R92-2053-05	CHIP R 0 J 1/8W	
R569			RK73GB2A113J	CHIP R 11K J 1/10W		W562			R92-1252-05	CHIP R 0 OHM J 1/16W	
R570			RK73GB2A471J	CHIP R 470 J 1/10W		W563			R92-2053-05	CHIP R 0 J 1/8W	
R571			RK73GB2A103J	CHIP R 10K J 1/10W		W564			R92-1252-05	CHIP R 0 OHM J 1/16W	
R572,573			RD14BB2C4R7J	RD 4.7 J 1/6W		W565,566			R92-2053-05	CHIP R 0 J 1/8W	
R574			RK73GB2A181J	CHIP R 180 J 1/10W		W567-572			R92-1252-05	CHIP R 0 OHM J 1/16W	
R576			RK73GB2A181J	CHIP R 180 J 1/10W		W573			R92-2053-05	CHIP R 0 J 1/8W	
R577,578			RK73GB2A100J	CHIP R 10 J 1/10W		W574,575			R92-1252-05	CHIP R 0 OHM J 1/16W	
R579			RK73GB2A113J	CHIP R 11K J 1/10W		W576			R92-2053-05	CHIP R 0 J 1/8W	
R580,581			RK73GB2A103J	CHIP R 10K J 1/10W		W577-579			R92-1252-05	CHIP R 0 OHM J 1/16W	
R582			RK73GB2A104J	CHIP R 100K J 1/10W		W580,581			R92-2053-05	CHIP R 0 J 1/8W	
R590			RK73GB2A473J	CHIP R 47K J 1/10W		W582			R92-1252-05	CHIP R 0 OHM J 1/16W	
R600,601			RD14BB2C271J	RD 270 J 1/6W		W583,584			R92-2053-05	CHIP R 0 J 1/8W	
R602			RK73GB2A432J	CHIP R 4.3K J 1/10W		W585,586			R92-1252-05	CHIP R 0 OHM J 1/16W	
R603			RK73GB2A103J	CHIP R 10K J 1/10W		W587,588			R92-2053-05	CHIP R 0 J 1/8W	
R605			RK73GB2A432J	CHIP R 4.3K J 1/10W		W589,590			R92-1252-05	CHIP R 0 OHM J 1/16W	
R606,607			RK73GB2A182J	CHIP R 1.8K J 1/10W		W591,592			R92-2053-05	CHIP R 0 J 1/8W	
R610			RK73GB2A104J	CHIP R 100K J 1/10W		W593			R92-1252-05	CHIP R 0 OHM J 1/16W	
R611			RK73GB2A103J	CHIP R 10K J 1/10W		W594			R92-2053-05	CHIP R 0 J 1/8W	
R612			RK73GB2A271J	CHIP R 270 J 1/10W		W595-597			R92-1252-05	CHIP R 0 OHM J 1/16W	
R613			RK73GB2A103J	CHIP R 10K J 1/10W		W598			R92-2053-05	CHIP R 0 J 1/8W	
R614			RK73GB2A102J	CHIP R 1.0K J 1/10W		W599-602			R92-1252-05	CHIP R 0 OHM J 1/16W	
R619			RK73GB2A153J	CHIP R 15K J 1/10W		W603,604			R92-2053-05	CHIP R 0 J 1/8W	
R620			RK73GB2A103J	CHIP R 10K J 1/10W		W605-607			R92-1252-05	CHIP R 0 OHM J 1/16W	
R681			RK73GB2A123J	CHIP R 12K J 1/10W		W608			R92-2053-05	CHIP R 0 J 1/8W	
R905,906			RK73GB2A332J	CHIP R 3.3K J 1/10W		W610			R92-1252-05	CHIP R 0 OHM J 1/16W	
R933,934			RK73GB2A912J	CHIP R 9.1K J 1/10W		W611			R92-2053-05	CHIP R 0 J 1/8W	
R945,946			RK73GB2A332J	CHIP R 3.3K J 1/10W		W612			R92-1252-05	CHIP R 0 OHM J 1/16W	
R961			RK73GB2A473J	CHIP R 47K J 1/10W		W613,614			R92-2053-05	CHIP R 0 J 1/8W	

E1 : KAC-PS541 K : KAC-X541 M1 : KAC-X541  
 (E : Europe K : North America M : Other Areas)

△ Indicates safety critical components.

## PARTS LIST

\* New parts

Parts without **Parts No.** are not supplied.

Les articles non mentionnés dans le **Parts No.** ne sont pas fournis.

Teile ohne **Parts No.** werden nicht geliefert.

### AUDIO UNIT (X09-5780-10)

Ref. No.	A d d	N e w	Parts No.	Description	Desti- nation
W615			R92-1252-05	CHIP R 0 OHM J 1/16W	
W616			R92-2053-05	CHIP R 0 J 1/8W	
W617,618			R92-1252-05	CHIP R 0 OHM J 1/16W	
W619-622			R92-2053-05	CHIP R 0 J 1/8W	
W623,624			R92-1252-05	CHIP R 0 OHM J 1/16W	
W625			R92-2053-05	CHIP R 0 J 1/8W	
W626			R92-1252-05	CHIP R 0 OHM J 1/16W	
W627			R92-2053-05	CHIP R 0 J 1/8W	
W628			R92-1252-05	CHIP R 0 OHM J 1/16W	
W629			R92-2053-05	CHIP R 0 J 1/8W	
W630			R92-1252-05	CHIP R 0 OHM J 1/16W	
W631			R92-2053-05	CHIP R 0 J 1/8W	
W632,633			R92-1252-05	CHIP R 0 OHM J 1/16W	
W634-636			R92-2053-05	CHIP R 0 J 1/8W	
W637			R92-1252-05	CHIP R 0 OHM J 1/16W	
W638			R92-2053-05	CHIP R 0 J 1/8W	
W639,640			R92-1252-05	CHIP R 0 OHM J 1/16W	
W641			R92-2053-05	CHIP R 0 J 1/8W	
W642-645			R92-1252-05	CHIP R 0 OHM J 1/16W	
W646,647			R92-2053-05	CHIP R 0 J 1/8W	
W648,649			R92-1252-05	CHIP R 0 OHM J 1/16W	
W650,651			R92-2053-05	CHIP R 0 J 1/8W	
W652,653			R92-1252-05	CHIP R 0 OHM J 1/16W	
W654			R92-2053-05	CHIP R 0 J 1/8W	
W655-658			R92-1252-05	CHIP R 0 OHM J 1/16W	
W659			R92-2053-05	CHIP R 0 J 1/8W	
W660,661			R92-1252-05	CHIP R 0 OHM J 1/16W	
W662-666			R92-2053-05	CHIP R 0 J 1/8W	
W667-669			R92-1252-05	CHIP R 0 OHM J 1/16W	
W700,701			R92-1252-05	CHIP R 0 OHM J 1/16W	
W702,703			R92-2053-05	CHIP R 0 J 1/8W	
W704-707			R92-1252-05	CHIP R 0 OHM J 1/16W	
W708			R92-2053-05	CHIP R 0 J 1/8W	
W709			R92-1252-05	CHIP R 0 OHM J 1/16W	
W710			R92-2053-05	CHIP R 0 J 1/8W	
W711			R92-1252-05	CHIP R 0 OHM J 1/16W	
W712			R92-2053-05	CHIP R 0 J 1/8W	
W713-719			R92-1252-05	CHIP R 0 OHM J 1/16W	
S6		*	S79-0843-05	DIP SWITCHES	
S7			S68-0806-05	PUSH SWITCH	
D1,2		*	RM4ZLF-J1NF	DIODE	
D4		*	UDZS16B	ZENER DIODE	
D8			RD15JS-AZ(B)	ZENER DIODE	
D9			UDZS6.8B	ZENER DIODE	
D11			UDZS5.1B	ZENER DIODE	
D12			UDZS4.7B	ZENER DIODE	
D13		*	S5566B-Q	DIODE	
D17		*	RD16JS-AZ(B)	ZENER DIODE	
D25		*	FCH20A20	DIODE	
D26		*	FRH20A20	DIODE	
D29,30			LM1MA142WA-G	DIODE	
D38			UDZS5.1B	ZENER DIODE	
D39			1SS355	DIODE	
D41			1SS355	DIODE	

Ref. No.	A d d	N e w	Parts No.	Description	Desti- nation
D62		*	LM1MA142WK-G	DIODE	
D63			1SS355	DIODE	
D66-70			1SS355	DIODE	
D71		*	UDZS3.3B	ZENER DIODE	
D72			UDZS10B	ZENER DIODE	
D74,75			1SS355	DIODE	
D76			UMZ6.8N	ZENER DIODE	
D78,79			1SS355	DIODE	
D80			UMZ6.8N	ZENER DIODE	
D82			UMZ6.8N	ZENER DIODE	
D83-85			1SS355	DIODE	
D87,88			UMZ6.8N	ZENER DIODE	
D91			LM1MA142WA-G	DIODE	
D93		*	LM1MA142WK-G	DIODE	
D100			UMZ6.8N	ZENER DIODE	
D101		*	LM1MA142WK-G	DIODE	
D102			LM1MA142WA-G	DIODE	
D151,152			1SS355	DIODE	
D153		*	LM1MA142WK-G	DIODE	
D154			LM1MA142WA-G	DIODE	
D155		*	LM1MA142WK-G	DIODE	
D157,158			1SS355	DIODE	
D159		*	LM1MA142WK-G	DIODE	
D160			LM1MA142WA-G	DIODE	
D161		*	LM1MA142WK-G	DIODE	
D200			UMZ6.8N	ZENER DIODE	
D201		*	LM1MA142WK-G	DIODE	
D202,203			LM1MA142WA-G	DIODE	
D301,302		*	LM1MA142WK-G	DIODE	
D304			LM1MA142WA-G	DIODE	
D305,306		*	LM1MA142WK-G	DIODE	
D308		*	LM1MA142WK-G	DIODE	
D401,402		*	LM1MA142WK-G	DIODE	
D403,404			LM1MA142WA-G	DIODE	
D405		*	LM1MA142WK-G	DIODE	
D406			UDZS5.1B	ZENER DIODE	
D915			LM1MA142WA-G	DIODE	
D955			LM1MA142WA-G	DIODE	
D958			1SS355	DIODE	
IC1,2			BA14741F	ANALOGUE IC	
IC3		*	784224YGC117	MICROCONTROLLER IC	
IC4			PST3436UL-E	MOS-IC	
IC6			BA4560F	IC	
IC8			BA10393F	ANALOGUE IC	
IC9		*	P82B96PN	ANALOGUE IC	
IC10			UPC494GS	ANALOGUE IC	
Q1,2			2SC4081	TRANSISTOR	
Q7,8			2SC4097	TRANSISTOR	
Q9,10			2SA1577	TRANSISTOR	
Q11-16		*	2SK3662-F	FET	
Q17		*	2SD2012-F	TRANSISTOR	
Q18		*	2SB1375-F	TRANSISTOR	
Q20			2SB1241	TRANSISTOR	
Q21			DTC114EUA	DIGITAL TRANSISTOR	
Q22			2SB1238	TRANSISTOR	

E1 : KAC-PS541 K : KAC-X541 M1 : KAC-X541  
(E : Europe K : North America M : Other Areas)

△ Indicates safety critical components.



## PARTS LIST

\* New parts

Parts without **Parts No.** are not supplied.

Les articles non mentionnés dans le **Parts No.** ne sont pas fournis.

Teile ohne **Parts No.** werden nicht geliefert.

### AUDIO UNIT (X09-5780-10)

Ref. No.	Add	New	Parts No.	Description	Destination	Ref. No.	Add	New	Parts No.	Description	Destination
Q24			2SC4081	TRANSISTOR		Q415,416		*	2SC1845-A(F,E)	TRANSISTOR	
Q25			2SA1576A	TRANSISTOR		Q417,418		*	2SA992-A(F,E)	TRANSISTOR	
Q26		*	2SK246(BL)-F	FET		Q419,420		*	2SC2235-F	TRANSISTOR	
Q27		*	2SA992-A(F,E)	TRANSISTOR		Q421,422		*	2SA965-F	TRANSISTOR	
Q30,31			2SC4081	TRANSISTOR		Q423,424		*	2SC3856NF	TRANSISTOR	
Q41-44			2SC4081	TRANSISTOR		Q425,426		*	2SA1492NF	TRANSISTOR	
Q50			2SC4081	TRANSISTOR		Q901,902		*	2SK3662-F	FET	
Q51			2SA1576A	TRANSISTOR		Q905,906			2SC4081	TRANSISTOR	
Q52			2SC4081	TRANSISTOR		Q945,946			2SC4081	TRANSISTOR	
Q53			2SA1576A	TRANSISTOR		Q967			DTA114EUA	DIGITAL TRANSISTOR	
Q54			DTA114EUA	DIGITAL TRANSISTOR		TH1-5		*	NT732ATTD103J	THERMISTOR	
Q56,57			2SC4081	TRANSISTOR							
Q58,59		*	2SC945AA(Q,P)	TRANSISTOR							
Q60			2SA1576A	TRANSISTOR							
Q61			2SC4081	TRANSISTOR							
Q62			DTC114EUA	DIGITAL TRANSISTOR							
Q63			DTA114EUA	DIGITAL TRANSISTOR							
Q64			DTC114EUA	DIGITAL TRANSISTOR							
Q65			2SC4081	TRANSISTOR							
Q66,67			2SD1863	TRANSISTOR							
Q73-75			DTA114EUA	DIGITAL TRANSISTOR							
Q77			DTC114EUA	DIGITAL TRANSISTOR							
Q80-83			2SC4081	TRANSISTOR							
Q84			DTC114EUA	DIGITAL TRANSISTOR							
Q85			2SC4081	TRANSISTOR							
Q86			DTC114EUA	DIGITAL TRANSISTOR							
Q90			DTC114EUA	DIGITAL TRANSISTOR							
Q91			DTA114EUA	DIGITAL TRANSISTOR							
Q92			DTC114EUA	DIGITAL TRANSISTOR							
Q93,94			2SA1576A	TRANSISTOR							
Q95			2SC4081	TRANSISTOR							
Q96			2SA1576A	TRANSISTOR							
Q97			DTA114EUA	DIGITAL TRANSISTOR							
Q98			2SA1576A	TRANSISTOR							
Q99			DTA114EUA	DIGITAL TRANSISTOR							
Q210		*	2SA1376AA(L,K)	TRANSISTOR							
Q212			2SC3419(Y)	TRANSISTOR							
Q301-304		*	2SA992-A(F,E)	TRANSISTOR							
Q305-308		*	2SC3478AA(L,K)	TRANSISTOR							
Q309		*	2SA1376AA(L,K)	TRANSISTOR							
Q311			2SC3419(Y)	TRANSISTOR							
Q312		*	2SC2235-F	TRANSISTOR							
Q314		*	2SA965-F	TRANSISTOR							
Q315,316		*	2SC1845-A(F,E)	TRANSISTOR							
Q317,318		*	2SA992-A(F,E)	TRANSISTOR							
Q319		*	2SC2235-F	TRANSISTOR							
Q320		*	2SC3856NF	TRANSISTOR							
Q321		*	2SA965-F	TRANSISTOR							
Q322		*	2SA1492NF	TRANSISTOR							
Q323		*	2SC3856NF	TRANSISTOR							
Q325		*	2SA1492NF	TRANSISTOR							
Q401-404		*	2SA992-A(F,E)	TRANSISTOR							
Q405-408		*	2SC3478AA(L,K)	TRANSISTOR							
Q409,410		*	2SA1376AA(L,K)	TRANSISTOR							
Q411,412			2SC3419(Y)	TRANSISTOR							

E1 : KAC-PS541 K : KAC-X541 M1 : KAC-X541  
 (E : Europe K : North America M : Other Areas)

△ Indicates safety critical components.

# KAC-PS541/X541

## SPECIFICATIONS

### KAC-PS541

#### AUDIO SECTION

Rated Power Output (4Ω, 20Hz~20kHz, 12V) ...	45W x 4 (0.05% THD)
(2Ω, 1kHz, 12V) .....	90W x 4 (0.5% THD)
Bridged Power (4Ω, 1kHz, 12V) .....	180W x 2 (0.5% THD)
Rated Power Output (4Ω, 20Hz~20kHz, 14.4V) .....	60W x 4 (0.05% THD)
(2Ω, 1kHz, 14.4V) .....	120W x 4 (0.5% THD)
Bridged Power (4Ω, 1kHz, 14.4V) .....	240W x 2 (0.5% THD)
MAX Power Output .....	960W
Low-Pass Filter .....	50Hz~200Hz (24dB/oct)
High-Pass Filter .....	50Hz~200Hz (12dB/oct)
Built-in Infrasonic Filter .....	15Hz (24dB/oct)
Frequency Response .....	5Hz~70kHz (+0, -3dB)
S/N Ratio .....	105dB
Sensitivity (Max) .....	0.2V (Rated Output)
Sensitivity (Min) .....	5V (Rated Output)
Input Impedance .....	10kΩ

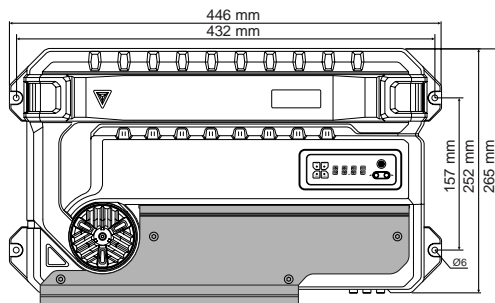
#### AMP CONTROL SECTION (EQ)

Bass Frequency Control .....	60Hz, 80Hz, 100Hz, 200Hz
Bass Level Control .....	-15dB to +15dB
Bass Q Factor Control .....	1.00, 1.25, 1.50, 2.00
Treble Frequency Control .....	10kHz, 12kHz, 15kHz, 17kHz
Treble Level Control .....	-15dB to +15dB

#### GENERAL

Operating Voltage (11~16V allowable) .....	14.4V
Current Consumption (1kHz, 10% THD) at 4Ω .....	42A
Size (with out dress plate) (W x H x D)	
.....	446 x 61 x 259.5 (mm), 17-3/5 x 2-2/5 x 10-1/5 (inch)
Installation Size (foot point) (W x H x D)	
.....	446 x 61 x 265 (mm), 17-3/5 x 2-2/5 x 10-2/5 (inch)
Weight .....	4.47kg (9.85 lbs)

### Installation



### KAC-X541

#### AUDIO SECTION

RMS Power Output (4Ω/4ch, 14.4V) .....	88W (1.0% THD+N)
(2Ω/4ch, 14.4V) .....	124W (1.0% THD+N)
RMS Bridged Output (4Ω/2ch, 14.4V) .....	270W x 2 (1.0% THD+N)
Dynamic Power .....	100W
Output Regulation .....	Under 0.3dB (4Ω)
Signal to Noise Ratio .....	76dB (w/4Ω)
Signal to Noise Ratio (Bypass) .....	76dB (w/4Ω)
Rated Power Output (4Ω, 20Hz~20kHz, 12V) ...	45W x 4 (0.05% THD)
(2Ω, 1kHz, 12V) .....	90W x 4 (0.5% THD)
Bridged Power (4Ω, 1kHz, 12V) .....	180W x 2 (0.5% THD)
Rated Power Output (4Ω, 20Hz~20kHz, 14.4V) .....	60W x 4 (0.05% THD)
(2Ω, 1kHz, 14.4V) .....	120W x 4 (0.5% THD)
Bridged Power (4Ω, 1kHz, 14.4V) .....	240W x 2 (0.5% THD)
MAX Power Output .....	960W
Low-Pass Filter .....	50Hz~200Hz (24dB/oct)
High-Pass Filter .....	50Hz~200Hz (12dB/oct)
Built-in Infrasonic Filter .....	15Hz (24dB/oct)
Frequency Response .....	5Hz~70kHz (+0, -3dB)
Sensitivity (Max) .....	0.2V (Rated Output)
Sensitivity (Min) .....	5V (Rated Output)
Input Impedance .....	10kΩ

#### AMP CONTROL SECTION (EQ)

Bass Frequency Control .....	60Hz, 80Hz, 100Hz, 200Hz
Bass Level Control .....	-15dB to +15dB
Bass Q Factor Control .....	1.00, 1.25, 1.50, 2.00
Treble Frequency Control .....	10kHz, 12kHz, 15kHz, 17kHz
Treble Level Control .....	-15dB to +15dB

#### GENERAL

Operating Voltage (11~16V allowable) .....	14.4V
Current Consumption (1kHz, 10% THD) at 4Ω .....	42A
Size (with out dress plate) (W x H x D)	
.....	446 x 61 x 259.5 (mm), 17-3/5 x 2-2/5 x 10-1/5 (inch)
Installation Size (foot point) (W x H x D)	
.....	446 x 61 x 265 (mm), 17-3/5 x 2-2/5 x 10-2/5 (inch)
Weight .....	4.47kg (9.85 lbs)

KENWOOD follows a policy of continuous advancements in development. For this reason specifications may be changed without notice.

## KENWOOD CORPORATION

2967-3, Ishikawa-machi, Hachioji-shi, Tokyo, 192-8525 Japan

#### KENWOOD USA CORPORATION

P.O. Box 22745, 2201 East Dominguez Street, Long Beach, CA 90801-5745, U.S.A.

#### KENWOOD ELECTRONICS CANADA INC.

6070 Kestrel Road, Mississauga, Ontario, Canada L5T 1S8

#### KENWOOD ELECTRONICS LATIN AMERICA S.A.

P.O. Box 55-2791 Paitilla, Plaza Credicorp Bank Panama,

Piso 9, Oficina 901, Calle 50, Panama, Rep. de Panama

#### KENWOOD ELECTRONICS BRASIL LTDA.

Alameda Ministro Rocha Azevedo No. 456,  
Edifício Jaú, 10o Andar, Cerqueira César, Cep 01400-001,  
São Paulo-SP-Brasil

#### KENWOOD ELECTRONICS UK LIMITED

Kenwood House, Dwight Road, Watford, Herts, WD18 9EB, United Kingdom

#### KENWOOD ELECTRONICS DEUTSCHLAND GMBH

Rembrücker-Str. 15, 63150 Heusenstamm, Germany

#### KENWOOD ELECTRONICS FRANCE S.A.

13, Boulevard Ney, 75018 Paris, France

#### KENWOOD ELECTRONICS BELGIUM N.V.

Leuvensesteenweg 248 J, 1800 Vilvoorde, Belgium

#### KENWOOD ELECTRONICS ITALIA S.p.A.

Via G. Sirtori 7/9, 20129 Milano, Italy

#### KENWOOD IBÉRICA S.A.

Bolivia, 239-08020 Barcelona, Spain

#### KENWOOD ELECTRONICS AUSTRALIA PTY. LTD. (A.C.N. 001 499 074)

16 Giffnock Avenue, Centrecourt Estate, North Ryde,

N.S.W. 2113, Australia

#### KENWOOD ELECTRONICS (HONG KONG) LTD.

Unit 3712-3724, Level 37, Tower 1, Metroplaza, 223 Hing Fong Road, Kwai Fong, N.T.,

Hong Kong

#### KENWOOD ELECTRONICS GULF FZE

P.O. Box 61318, Jebel Ali, Dubai, U.A.E.

#### KENWOOD ELECTRONICS (THAILAND) CO., LTD.

956 Udom Vidhya Building (Olympia) Rama IV Road, Silom, Bangkok, Bangkok 10500 Thailand

#### KENWOOD ELECTRONICS SINGAPORE PTE. LTD.

1 Genting Lane, #07-00, Kenwood Building, Singapore, 349544

#### KENWOOD ELECTRONICS (MALAYSIA) SDN BHD

#4.01 Level 4, Wisma Academy Lot 4A, Jalan 19/1, 46300 Petaling Jaya, Selangor Darul Ehsan, Malaysia